

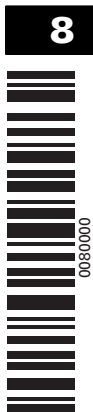
Safety Switches & Enclosed Circuit Breakers

Contents

<i>Description</i>	<i>Page</i>
Safety Switches	
Product Description	8-2
Options and Accessories	8-4
Flex-Center Facility	8-6
Flex-Center Modifications	8-7
Product Specifications	8-10
Technical Data and Specifications	8-11
Product Selection	8-14
General Duty — Fusible	8-15
Heavy Duty — Fusible	8-18
General Duty — Non-Fusible	8-26
Heavy Duty — Non-Fusible	8-27
Rotary	8-28
EnviroLine	8-29
NEMA 7/9	8-37
Cable Connector Receptacle Switches	8-38
Mill Duty Rated	8-39
Cross-Reference	8-41
Enclosed Circuit Breakers	
Product Description	8-47
Application Description	8-47
Selection Guide	8-49
Accessories	8-50
Service Centers	8-52
Technical Data and Specifications	8-53
Pricing	8-56
Cross-Reference	8-60



DH362NRK Safety Switch



Product Description

Product Description

- Used to open or close a circuit.
- Non-fusible safety switches provide a means to manually connect or disconnect the load from the source.
- Fusible safety switches provide a means to manually open and close a circuit and overcurrent protection by means of installed fuses.
- Also commonly referred to as a disconnect switch or disconnect.
- Available from 30 – 1200 amperes.

Application Description



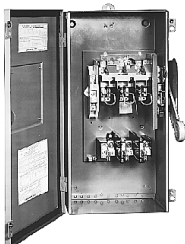
**Plug Fuse
General Duty
Safety Switch**



**Cartridge Fuse
General Duty
Safety Switch**

For residential and commercial applications. Suitable for light duty motor circuits and service entrance.

- 30 – 600 amperes.
- Suitable for service entrance applications unless otherwise noted.
- Fusible and non-fusible switches are 100% load break and 100% load make rated.
- The continuous load current of fusible switches is not to exceed 80% of the rating of fuses employed in other than motor circuits.
- 200 – 600 amperes features K-series design.
- Horsepower rated.
- Fusible and non-fusible switches. One-pole S/N through 4-wire; 120/240, and 240V AC.
- Ample wire bending space provides for easier installation.
- With Class R fuses, switches may be used on systems capable of delivering 100,000 amperes rms symmetrical.



Heavy Duty Safety Switches

For heavy commercial and industrial applications where reliable performance and service continuity are critical.

- 30 – 1200 amperes.
- 600V AC, 600V DC maximum.
- Horsepower rated.
- Fusible and non-fusible switches are 100% load break and 100% load make rated.
- The continuous load current of fusible switches is not to exceed 80% of the rating of fuses employed in other than motor circuits.
- Suitable for service entrance applications unless otherwise noted.
- Visible double break quick-make, quick-break rotary blade mechanism. Two points of contact provide a positive open and close, easier operation, and also help prevent contact burning for longer contact life.
- Triple padlocking capability. Personnel safety feature since the large hasp can accommodate up to three 3/8-inch (9.5 mm) shank locks. Cabinet door can be further padlocked at the top and bottom.
- Interlocking mechanism. Door cannot be opened when the handle is in the ON position. Built-in defeater mechanism provides for user access when necessary.
- For the toughest heavy commercial and industrial applications, refer to **Page 8-39** for catalog information on our new Mill Duty Safety Switch.



6-Pole Motor Circuit

A compact safety switch that's ideal for use in heavy industry...when an "in sight" disconnecting means is required for two-speed motors that are remote from their motor control devices.

- 600V AC, 250V DC maximum.
- 30 – 200 amperes.
- Fusible or non-fusible.
- Trunk-type latches keep the cover tightly closed and a neoprene gasket seals out moisture and dust from the switch assembly.
- Visible double break quick-make, quick-break rotary blade mechanism. Two points of contact provide a positive open and close, easier operation, and also help prevent contact burning for longer contact life.

- Clear line shield protection.
- Built-in fuse pullers.
- Clearly visible handle.
- Triple padlocking capability. Cabinet door can be further padlocked at the top and bottom.



Heavy Duty Double Throw

Used to transfer service from a normal power source to an alternate source...or to switch from one load circuit to another.

- 30 – 800 ampere switches are horsepower rated.
- 600V AC, 250V DC maximum.
- Fusible or non-fusible.
- Fusible and non-fusible switches are 100% load break and 100% load make rated.
- Suitable for service entrance applications unless otherwise noted.
- The continuous load current of fusible switches is not to exceed 80% of the rating of fuses employed in other than motor circuits.
- Approved for service entrance with neutral or ground lug kit installed.
- Wiring configuration from factory allows a single load to be supplied by a normal or alternate source. Can be field modified to allow two loads to be alternately supplied by a single power source.
- Non-fusible double throw switch can be used to feed a single throw fusible switch, the normal method to provide manual transfer from one power source to another in 800 ampere and larger switches.
- Ample wire bending space provides for easier installation.
- Visible double break quick-make, quick-break rotary blade mechanism. Two points of contact provide a positive open and close, easier operation, and also help prevent contact burning for longer contact life.
- Triple padlocking capability. Personnel safety feature since the large hasp can accommodate up to three 3/8-inch (9.5 mm) shank locks.
- Clearly visible handle. The position (ON or OFF) can be clearly seen from a distance.

Application Description

- Additional locking capability. Cabinet door can be further padlocked at the top and bottom.
- Clear line shield protects against accidental contact with energized parts. Probe holes enable the user to test if the line side is energized without removing the shield.
- Tangential knockouts on sides, top and bottom. Enables any size of conduit to be mounted close to the wall, providing for cable installation closer to the wall and a neat appearance.



Enclosed Rotary

Provide users with the ability to lock directly wired motor loads in the OFF position to comply with new OSHA lockout/tagout regulations. Also for machine applications that require compact, economical disconnect switches.

- Meets NEC® Article 430 requirements for a separate disconnect means within sight of all motor loads.
- Padlockable in the OFF position (up to three padlocks) to meet OSHA lockout requirements.
- Available in 16 – 125 ampere ratings.
- 600V AC, 3- and 4-pole non-fusible device.
- Rated for making and breaking loads.
- Accepts auxiliary contacts. Capability to signal PLC controllers.
- Ground lug connection provided.



EnviroLine

Eaton offers a line of Cutler-Hammer safety switches designed for your special application and/or extreme environmental conditions.

- **EnviroLine Stainless Steel Switch** — Primarily for use in the meat packing and food processing industries or any application where water is frequently used to hose down equipment. In addition to the stainless steel NEMA 4X enclosure, the interior mechanism, back pan, and springs are stainless steel. Ratings for these Heavy Duty switches are 30 – 400 amperes, 240 – 600V AC, available as fusible and non-fusible switches.
- **Window Switches** — These switches are available with either an upper window over the switch contacts or a lower window over the fuse block. The upper window provides visual verification of ON/OFF status. The lower window switch allows for visual verification of fuse status if used in conjunction with Littelfuse, Inc. fuses with blown fuse indicator. Ratings are 30 – 800 amperes, 240 – 600V AC, fusible and non-fusible. Available in NEMA 12/3R, 4X stainless steel enclosures.
- **Receptacle Switches** — These Heavy Duty switches are pre-wired and interlocked to polarized receptacles for 3-phase, 3-wire, grounded type power plugs. These are used for portable power applications such as welders, infrared ovens, batch feeders, conveyors, truck and marine docks. Receptacles are interlocked to handle mechanisms so that power plugs may not be inserted or removed when the switch is in the ON position unless noted otherwise. Ratings are 30 – 100 amperes, 600V AC, NEMA 12, 4X stainless steel enclosures.
- **Non-Metallic Switch** — This switch has a KRYDON™ enclosure. This is a compression molded fiberglass reinforced polyester enclosure, which is capable of withstanding almost any corrosive environment. Ratings are 30 – 200 amperes, 240 – 600V AC, fusible and non-fusible. Enclosure is NEMA 4X rated.
- **NEMA 7/9 Hazardous Location Disconnect Switch** — See Page 8-37 for information.

Features, Benefits and Functions

General Duty (Cartridge Fuse)

- Visible double break quick-make, quick-break rotary blade mechanism.
- Side opening door on all enclosures.
- Mechanically interlocked cover to prevent easy access when the switch is in the ON position.
- With Class R fuses, switches may be used on systems capable of delivering 100,000 amperes rms symmetrical.
- Clearly visible and accessible neutral where applicable.
- Visible ON/OFF indication.
- Tangential knockouts on 30 – 60 ampere designs.
- Ample wiring space.
- Double padlocking capability on 30 – 100 amperes.
- Triple padlocking capability on 200 – 600 amperes.
- Additional door locking capability.
- Bilingual English/Spanish nameplate and door label on 30 – 100 amperes.

Heavy Duty

- Visible double break quick-make, quick-break rotary blade mechanism.
- Mechanically interlocked cover to prevent easy access when the switch is in the ON position.
- Clear line shield with probe holes.
- Clearly visible palm fitting red handle.
- Triple padlocking capability.
- Tangential knockouts on NEMA 1 and NEMA 3R enclosures through 200 ampere.
- Built-in fuse pullers on NEMA 4X and NEMA 12 enclosures through 200 ampere.
- Additional door locking capability.
- Complete accessory and renewal parts data shown on inner door label.
- 30 – 200 ampere NEMA 12 designs convertible to NEMA 3R by opening factory installed drain hole.
- 30 – 800 ampere switches are seismic qualified and exceed the requirements of the Uniform Building Code (UBC) and California Code Title 24.

Standards and Certifications

- UL® 98.
- UL 50.
- NEMA KS-1.

Options and Accessories

Table 8-1. Safety Switches — Accessories

Description	Catalog Number	Price U.S. \$
Neutral Kits/Ground Kits		
30A DG	DG030NB	49.
60 – 100A DG	DG100NB	97.
200A DG, DH (NEMA 1, 3R Enclosures)	DG200NK	141.
30-60A DH	DH030NK	66.
100A DH	DH100NK	136.
200A DH (NEMA 4X, 12 Enclosures)	DH200NK	155.
400A DG, DH	DS400NK	265.
600A DG, DH	DS600NK	282.
400 – 600A Fusible DT, 800-1200A DH	DS800NK	600.
30 – 100A DT	DT100NK	86.
200A DT	DT200NK	147.
400A Non-Fusible DT	DT400NK	216.
600 Non-Fusible DT	DT600NK	272.
Ground Lug Kits		
30 – 100A DG	DG030GB	18.
30 – 100A DH, DT ①	DS100GK	18.
200A DG, DH, DT	DS200GK	33.
400 – 600A DG, 400 – 1200A DH, 400 – 800A DT	DS468GK	186.
Control Pole Kit		
400 – 600A DG, 30 – 1200A DH, 30 – 800A DT	DS16CP	170.
Auxiliary Contact Kits		
All Switches (except 30 – 100A DG) 1NO/1NC	DS200EK1	222.
All Switches (except 30 – 100A DG) 2NO/2NC	DS200EK2	264.
Copper Lug Kits		
30A DH, DT ②	DS16CL	32.
60A DH, DT ②	DS26CL	40.
100A DH, DT ②	DS36CL	66.
200A DH ②	DS46CL	220.
400A DH (NEMA 4, 4X, 12 Enclosures) ③	DS56CL	271.
600 – 800A DH (NEMA 4, 4X, 12 Enclosures) ③	DS66CL	317.
Crimp Lug Pad Kit (NEMA 4, 4X, 12 Enclosures)		
400 – 600A DH ②	DS56CK	362.
800A DH ③	DS76CK	163.
400 – 800A Neutral DH ④	DS800CNK	470.
Fuse Puller Kits		
30 – 60A DH ②	DS30FP	21.
30 – 60A DH ⑤	DS60FP	30.
100A DH ②	DS100FP	39.
200A DH ②	DS200FP	92.
"J" Fuse Adapter Kits		
60A 240V DH ②	DS22JK	20.
60A DT and receptacle switches ②	DS26JK	20.
400A 600V DT ⑥	DT400JK	424.
600A 240-600V DH only ③	DS600JK	147.
"R" Fuse Adapter Kits ②		
30A DG	DG030RB	19.
100A DG	DG100RB	37.
30A 240V DH, DT	DS12FK	19.
30A 600V DH, DT, 60A 240V DH, DT, 60A DG	DS16FK	19.
60A 600V DH, DT	DS26FK	19.
100A 240 – 600V DH, DT	DS36FK	37.
200A 240 – 600V DH, DT, 200A DG	DS46FK	55.
400A 240 – 600V DH, 240V DT, 400A DG	DS56FK	92.
600A 240 – 600V DH, 600A DG	DS66FK	92.
"T" Fuse Adapter Kits		
200A 240V DH ②	DS426TK	208.
200A 600V DH ②	DS466TK	230.
400A 240V DG, DH ③	DS526TK	72.
400A 600V DH ③	DS566TK	105.
600A 240V DG, DH ③	DS626TK	115.
600A 600V DH ③	DS666TK	119.
800A 240V DH ③	DS726TK	123.
800A 600V DH ③	DS766TK	144.
Hookstick Handle	DH800HSH	141.
Lubricating Grease for Safety Switch Blades and Contacts (Each kit contains three 30 cc tubes of lubricating grease.)	DSLUBEKIT	315.



DH030NK



DS200GK



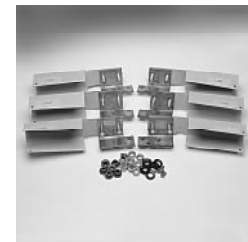
DS16CP



DS200EK1



DS36CL



DS56CK



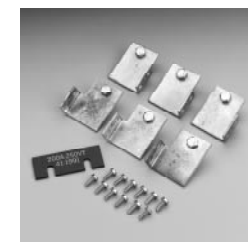
DS60FP



DS22JK



DS12FK



DS426TK

- ① Ground bar kit is not listed on device publications.
- ② Order one kit for 3 poles.
- ③ Order one kit for each pole.
- ④ Order one kit per switch.
- ⑤ Receptacle switches.
- ⑥ Order one kit for 6 poles.

Note: Accessories are not applicable to NEMA 7/9 switches.

Discount Symbol..... **22-CD**

January 2003
Vol. 1, Ref. No. [0243]

Accessories

Accessories, Hubs, Lug Data

Table 8-2. Plate Type Hubs

For NEMA 3R Enclosures (Up to 200 Amperes)

Group 1 General Duty, Heavy Duty, Double Throw Through 100A				Group 2 General Duty, Heavy Duty, Double Throw — 200A			
Conduit Size		Catalog	Price	Conduit Size		Catalog	Price
Inches	mm	Number	U.S. \$	Inches	mm	Number	U.S. \$
3/4	19.1	DS075H1	26.75	2	50.8	DS200H2	43.50
1	25.4	DS100H1	26.75	2-1/2	63.5	DS250H2	78.00
1-1/4	31.8	DS125H1	26.75	3	76.2	DS300H2	90.50
1-1/2	38.1	DS150H1	26.75	—	—	—	—
2	50.8	DS200H1	43.50	—	—	—	—

Catalog Number **DS900AK** Adapter Kit (Price U.S. \$ = 11.80) — Permits Installation of Group 1 Hubs on 200 Ampere Type General Duty, Heavy Duty and Double Throw Switches

Table 8-3. Myers Type Hubs

NEMA 3R (400 Amperes and Above)
NEMA 4, 4X (Stainless Steel), 12

Conduit Size		Catalog	Price
Inches	mm	Number	U.S. \$
1/2	12.7	DS050MH	32.00
3/4	19.1	DS075MH	33.00
1	25.4	DS100MH	42.00
1-1/4	31.8	DS125MH	45.00
1-1/2	38.1	DS150MH	65.00
2	50.8	DS200MH	86.00
2-1/2	63.5	DS250MH	120.00
3	76.2	DS300MH	160.00
3-1/2	88.9	DS350MH	225.00
4	101.6	DS400MH	277.00
5	127.0	DS500MH	610.00

Note: Contact the Flex Center at 1-888-329-9272 for information on hubs for non-metallic NEMA 4X switches.



DS075H1

Table 8-4. Standard Lug Capacities

Ampere Rating	Minimum Wire Size	Maximum Wire Size	Wire Type
30A DP	#14 #12	#10 #10	Cu OR Al
30A DG	#14	#6	Cu/Al
30A DH, DT	#14	#2	Cu/Al
60A DG	#14	#1/0	Cu/Al
60A DH, DT	#14	#2	Cu/Al
100A DG ①	#14	#1/0	Cu/Al
100A DH, DT	#14	#1/0	Cu/Al
200A DG, DT	#6	250 kcmil	Cu/Al
200A DH Type 1 and 3R	#6	250 kcmil	Cu/Al
200A DH Type 4 and 12	#6	300 kcmil	Cu/Al
400A DG, DH, DT	(2) #1/0 (1) #1/0	(2) 300 kcmil (1) 750 kcmil	Cu/Al OR Cu/Al
600A DG	(1) #2	(1) 600 kcmil	Cu/Al AND
600A DH	(1) #1/0	(1) 750 kcmil	Cu/Al
600A DT (Fusible)			
600A DT (Non-Fusible)	(2) #250	(2) 500 kcmil	Cu/Al
800A DH	(4) #1/0	(4) 750 kcmil	Cu/Al
800A DT	(3) #250	(3) 500 kcmil	Cu/Al
1200A DH	(4) #1/0	(4) 750 kcmil	Cu/Al

Copper-Bodied Lugs

30A Cu	#14	#6	Cu
60A Cu	#14	#4	Cu
100A Cu	#6	#1/0	Cu
200A Cu	#6	250 kcmil	Cu
400A Cu	#1/0	500 kcmil	Cu
600A Cu	(2) #1/0	(2) 500 kcmil	Cu

① The maximum size aluminum or copper-clad aluminum wire allowable for applications where the conductor enters or leaves the enclosure through the wall opposite its terminal is #1 gauge.

Note: Although certain lug capacities are larger than required, only minimum wire bending space is provided per the requirements noted in NEC Tables 373-6 (a) and (b) for respective ampere ratings.

Flex Center Facility

Flex Center

Introduction

The Safety Switch Flex Center is a special facility at the site of our Cleveland, Tennessee plant that is dedicated to providing customized safety switches that meet customer's challenging applications.

Eaton's Cutler-Hammer Flex Center is a solutions center that provides real value:

- A dedicated and knowledgeable engineering/manufacturing/customer service team to meet your needs.
- A production facility stocked with a full arsenal of equipment to get the job done.
- The industry's shortest lead time.
- Easy ordering through our distributors.

Description (Suffix)	Item
Phenolic Nameplates (NP)	1
Fungus Proofing (FP)	2
Special Paint	3
Lock-On Provisions on Heavy Duty Safety Switches for Most Enclosure Types	4
Trapped Key Interlock Systems	5
Upper Cover Viewing Window (W)	6
Lower Cover Viewing Window (LW)	7
Neutral Assemblies Factory Installed for Double Throw Safety Switches (N)	8
Class "R" Fuse Clips Factory Installed for Heavy Duty Switches (5 or 6)	9
Class "T" Fuse Clips Factory Installed for Heavy Duty Switches (T)	10
Class "J" Fuse Clips Factory Installed for Heavy Duty and Double Throw Safety Switches	11
Fuse Pullers Factory Installed	12
Special Crimp Lug Pads Factory Installed for General Duty and Heavy Duty Switches (CK)	13
Copper Lugs Factory Installed (CL)	14
Equipment Ground Lugs Factory Installed (G)	15
Custom Lug Configurations	16

Auxiliary Contacts Factory Installed (2 or 3)	17
Control Pole Factory Installed (CP)	18
How to Order	19
How to Price	20

1. Phenolic Nameplates

Nameplates are available engraved on black, red, yellow, or blue background with white letters. Customer must specify text when placing order.

Table 8-5. Item 1

Description	Price U.S. \$
Adder Per Legend Plate	104.

2. Fungus Proofing

All non-metallic components of the switch are coated with a moisture and fungus-resistant varnish. The inhibitor used meets military specification: MIL-V-173C for MOISTURE AND FUNGUS-RESISTANT TREATMENT. The treated switch meets military specification: MIL-T-152E for MOISTURE AND FUNGUS-RESISTANT TREATMENT OF COMMUNICATIONS, ELECTRONICS AND ASSOCIATED EQUIPMENT. Not UL listed.

Table 8-6. Item 2

Safety Switch Ampere Rating	Price U.S. \$ Adder Per Switch
30, 60	370.
100, 200	500.
400, 600	625.
800, 1200	782.

To order, **add Suffix FP** to standard Safety Switch Catalog Number. *Example: DH363FGKFP.*

3. Special Paint

Special paint colors are available for order quantities of five or more switches. Colors available are red, orange, yellow, green, black and white. Custom color is applied over the standard ANSI-61 gray finish.

Minimum quantity of five of the same color is required. Order by description. **See Table 8-7 for adders.**

For quantities less than five, higher ampere ratings, or other color request, contact the Safety Switch Flex Center.

Table 8-7. Item 3

Price U.S. \$ and Adder Per Switch — Special Paint				
Ampere Rating	Quantity			
	5 – 10	11 – 20	21 – 40	Over 40
30	148.	116.	85.	55.
60	171.	157.	101.	65.
100	270.	215.	159.	106.
200	259.	223.	179.	171.
400	716.	538.	357.	257.
600	1,770.	1,000.	700.	350.

4. Lock-on Provisions on Heavy Duty Safety Switches for Most Enclosure Types

Available on 30 – 800 ampere Heavy Duty and Double Throw Safety Switches. Provision will accept a single lock. Order by description.

Table 8-8. Item 4

Description	Price U.S. \$
Adder Per Lock-on	155.

5. Trapped Key Interlock Systems

Available only on Heavy Duty and Double Throw Safety Switches. Trapped Key Systems are used on safety switches to prevent unauthorized operations or to predetermine a series of power transfers by an authorized operator.

Before system construction can begin, the following information must be provided to the Flex Center:

1. User — Name, address and telephone number.
2. Complete coordination (lock scheme) required with order.

Order by description.

Table 8-9. Item 5

Safety Switch Ampere Rating	Switch Type	Price U.S. \$ Adder Per Lock (Maximum of Three Devices Interlocked)
30 – 1200	Heavy Duty	1,250.
30 – 800	Double Throw	1,310.

6. Upper Cover Viewing Window

Upper Viewing Window is Centered over the switching contacts to provide visual verification of ON/OFF status. Available on most Heavy Duty and Double Throw enclosures. Not available on nonmetallic enclosures. To order, **add Suffix W** to the standard catalog number.

Discount Symbol **22-CD**

January 2003
Vol. 1, Ref. No. [0245]

Flex Center Modifications

7. Lower Cover Viewing Window

Lower Viewing Window is positioned over fuses and provides visual verification of Blown Fuse Indicators for Littelfuse, Inc.™ fuses. Available in 30 – 800 ampere, 2- and 3-pole Heavy Duty NEMA 12, NEMA 3R and NEMA 4X Stainless Steel Safety Switches. Not available on nonmetallic enclosures. To order, add Suffix LW to standard catalog number.

Table 8-10. Items 6 and 7

Viewing Window (Upper or Lower)		
Safety Switch Ampere Rating		Price U.S. \$ Adder Per Switch
30 – 200		85.
400 – 800		425.

Contact the Safety Switch Flex Center for lead time.

8. Neutral Assemblies Factory Installed for Double Throw Safety Switches

Table 8-11. Item 8

Safety Switch Ampere Rating	Switch Type 2- and 3-Pole	Price U.S. \$ Adder Per Switch
30	Fusible and Non-Fusible	280.
60	Fusible and Non-Fusible	280.
100	Fusible and Non-Fusible	280.
200	Fusible and Non-Fusible	400.
400	Non-Fusible	550.
600	Non-Fusible	650.
400	Fusible	800.
600	Fusible	800.
800	Non-Fusible	900.

To order, add Suffix N to the standard Safety Switch Catalog Number. The total price is the standard switch price plus the price adder from the table above.

Example: **DT361URKN**

Double Throw, 3-Pole, 30A Switch with Factory Installed Neutral Assembly = \$280.00 Price U.S. \$ Adder.

9. Class "R" Fuse Clips Factory Installed for Heavy Duty Switches

Table 8-12. Item 9

Safety Switch Ampere Rating	Voltage	Price U.S. \$ Adder Per Pole
30	240 and 600	60.
60	240 and 600	60.
100	240 and 600	80.
200	240 and 600	80.
400	240 and 600	100.
600	240 and 600	100.

To order, add Suffix 5 to the standard catalog number for 240V application. Add Suffix 6 to standard catalog number for 600V application. Total price is the standard catalog number price plus the price adder from the table above depending on the number of safety switch poles.

Example: **DH324FRK5**

Heavy Duty, 3-Pole, 200A Switch at 240V with Factory Installed Class "R" Fuse Clips = \$240.00 (3 x \$80.00) Price U.S. \$ Adder.

10. Class "T" Fuse Clips Factory Installed for Heavy Duty Switches

Table 8-13. Item 10

Safety Switch Ampere Rating	Voltage	Factory Installed Price U.S. \$ Adder Per Pole
200	240 600	140. 150.
400	240 600	230. 300.
600	240 600	300. 370.
800	240 600	400. 470.
1200	240 600	500. 570.

To order, add Suffix T to the standard catalog number (catalog number identifies voltage). Total price is the standard catalog number price plus the price adder from the table above depending on the number of safety switch poles.

Example: **DH364FGKT**

Heavy Duty, 3-Pole, 200A Fusible Switch at 480V with Factory Installed Class "T" Fuse Clips = \$450.00 (3 x \$150.00) Price U.S. \$ Adder.

11. Class "J" Fuse Clips Factory Installed for Heavy Duty and Double Throw Safety Switches

Table 8-14. Item 11

Safety Switch Ampere Rating	Voltage	Switch Type	Price U.S. \$ Adder Per Switch
30	240 600	Heavy Duty & Double Throw Heavy Duty & Double Throw	70. 105.
60	240 600	Heavy Duty & Double Throw Heavy Duty & Double Throw	70. 105.
400	600	Double Throw	660.
600	240 600	Heavy Duty Heavy Duty	270. 270.

Total price is the standard catalog number price plus the price adder from the table above depending on the number of safety poles. Order by description. A table of common 30 ampere Heavy Duty switches with "J" fuse clips factory installed is shown below (field modification kits are not available for 30 ampere Heavy Duty Switches).

Table 8-15. Common 30A Heavy Duty Switches with "J" Fuse Clips Factory Installed

Voltage	Switch Type 3-Pole	Catalog Number	Price U.S. \$
240	NEMA 1 NEMA 3R NEMA 12 NEMA 4X	DH321FGK2JK DH321FRK2JK DH321FDK2JK DH321FWK2JK	311. 486. 495. 1,620.
600	NEMA 1 NEMA 3R NEMA 12 NEMA 4X	DH361FGK6JK DH361FRK6JK DH361FDK6JK DH361FWK6JK	505. 810. 815. 1,985.

12. Fuse Pullers Factory Installed

Order by description.

Table 8-16. Item 12

Safety Switch Ampere Rating	Switch Type	Factory Installed Price U.S. \$ Adder Per Pole
30 – 60	Heavy Duty	30.
100	Heavy Duty	60.
200	General Duty and Heavy Duty	70.

Flex Center Modifications

13. Special Crimp Lug Pads Factory Installed for General Duty and Heavy Duty Switches (Crimp Lugs are Not Included)

To order add **Suffix CK** to the standard Safety Switch Catalog Number.

Table 8-17. Item 13

Safety Switch Ampere Rating	Factory Installed Price U.S. \$ Adder Per Pole
400 – 600	200.
800	300.

Heavy Duty Type DH Switches, 30 – 200A are adaptable to crimp lugs, simply remove the box lugs.

14. Copper Lugs Factory Installed

Table 8-18. Item 14

Safety Switch Ampere Rating	Switch Type	Factory Installed Price U.S. \$ Adder Per Pole
30	Heavy Duty Double Throw	40. 55.
60	Heavy Duty Double Throw	50. 65.
100	Heavy Duty Double Throw	90. 120.
200	Heavy Duty	140.
400	General Duty and Heavy Duty	300.
600	General Duty and Heavy Duty	450.

To order, add **Suffix CL** to the standard Safety Switch Catalog Number. The total price is the standard switch price plus the price adder from the table above.

Example: DH221FGKCL

Heavy Duty, 2-Pole, 30A Fusible Switch at 240V with Copper Lugs Factory Installed = \$80.00 (2 x \$40.00) Price U.S. \$ Adder.

15. Equipment Ground Lugs Factory Installed for General Duty and Heavy Duty Switches

Table 8-19. Item 15

Safety Switch Ampere Rating	Factory Installed Price U.S. \$ Adder Per Switch
30 – 100	100.
200	130.
400 – 1200	225.

To order, add **Suffix G** to the standard Safety Switch Catalog Number. The total price is the standard switch price plus the price adder from the table above.

16. Custom Lug Configurations

Customer-specified lug arrangements are available on Heavy Duty and Double Throw Safety Switches. Contact the Safety Switch Flex Center for price and lead time.

17. Auxiliary Contacts Factory Installed Provide Early-Make/Early-Break Operation
Table 8-20. Item 17

General Duty Switches 200 – 600A, Non-Metallic 30 – 200A, Heavy Duty 30 – 1200A and Double Throw Switches 30 – 800A		
Safety Switch Ampere Rating	Description	Factory Installed Price U.S. \$ Adder Per Switch
30 – 200	1 NO/1 NC	230.
	2 NO/2 NC	260.
400 – 1200	1 NO/1 NC	360.
	2 NO/2 NC	390.

To order 1NO/1NC contacts, add **Suffix 2** to the standard Safety Switch Catalog Number.

To order 2 NO/2 NC contacts, add **Suffix 3** to the standard Safety Switch Catalog Number.

The total price is the standard switch price plus the price adder from the table above.

Example: DH423FGK2

Heavy Duty, 4-Pole, 100A Fusible Switch at 240V with Factory Installed 1 NO/1 NC Contacts = \$230.00 Price U.S. \$ Adder.

Example: DT324FGK22

Double Throw, 3-Pole, 200A Fusible Switch at 240V with two Factory Installed Contacts (one installed in the Normal ON position and one installed in the Auxiliary ON position). = \$460.00 (2 x \$230.00) Price U.S. \$ Adder.

18. Control Pole Factory Installed Provides Late-Make/Early-Break Operation

The K-Series Control Pole provides one Normally Open contact, late-make, early-break operation. It mounts in the exact location as the neutral block using the same pre-drilled holes. This is directly connected to the power pole operating shaft. Direct connection and visible blades provide more secure electrical interlocking than handle linkage operation of a snap/switch type interlock. This reliability meets the requirements of many specifications for 4-pole switches when the fourth pole is required for secure electrical interlocking.

Table 8-21. Item 18

Safety Switch Ampere Rating	Switch Type	Factory Installed Price U.S. \$ Adder Per Switch
30 – 1200	Heavy Duty	300.
30 – 200	Double Throw	300.
400 – 600	General Duty	300.

To order, add **Suffix CP** to the standard Safety Switch Catalog Number. The total price is the standard switch price plus the price adder from the table above.

Example: DH267FGKCP

Heavy Duty, 2-Pole, 800A Fusible Switch at 480V with Factory Installed Control Pole = \$300.00 Price U.S. \$ Adder.

19. How to Order

Step One: Contact the Safety Switch Flex Center for price and delivery on product being modified. An authorized negotiation (TSP) number will be provided to track your order.

Safety Switch Flex Center
Phone: **1-888-329-9272**
Fax: **1-423-478-0270**

Step Two: Enter the order on VISTA-LINE™ by description (with catalog number if it applies) and reference the authorized negotiation (TSP) number.

Vista suffix will be "ETS."
Product code will be "BE90."

For order entry assistance, contact CSC at:
Phone: **1-800-356-1243**
Fax: **1-800-752-8602**

20. How to Price

Step One: Select catalog number from **Pages 8-14** through **8-39** of this catalog or Vista of the switch that needs to be modified.

Step Two: Use the correct price (from Vista or the current Price and Availability Digest) of the switch that needs to be modified. If no price exists, Flex Center will provide one.

Step Three: Refer to the modification on **Pages 8-6** through **8-8** for price additions.

Example: DT363URK = \$2,530.00
Options: Factory Installed Neutral (N) = **280.00**
Copper Lugs (CL) = **360.00** (3 x 120.00)

Total Price U.S. \$ = **\$3,170.00**

Step Four: Contact the Safety Switch Flex Center for authorized price and lead time.

Note: Existing DSP, CSP and DOP pricing does not apply.

For application, availability or pricing questions, contact the Safety Switch Flex Center at **1-888-329-9272**.

January 2003

Vol. 1, Ref. No. [0247]

Flex Center Modifications

Table 8-22. Standard Lug Capacities

Ampere Rating	Minimum Wire Size	Maximum Wire Size	Wire Type
30A DP	#14	#10	Cu OR
30A DG	#12	#10	Al
30A DH, DT	#14	#6	Cu/Al
	#14	#2	Cu/Al
60A DG	#14	#1/0	Cu/Al
60A DH, DT	#14	#2	Cu/Al
100A DG ^①	#14	#1/0	Cu/Al
100A DH, DT	#14	#1/0	Cu/Al
200A DG, DT	#6	250 kcmil	Cu/Al
200A DH Type 1 and 3R	#6	250 kcmil	Cu/Al
200A DH Type 4 and 12	#6	300 kcmil	Cu/Al
400A DG, DH, DT	(2) #1/0 (1) #1/0	(2) 300 kcmil (1) 750 kcmil	Cu/Al OR Cu/Al
600A DG	(1) #2	(1) 600 kcmil	Cu/Al AND
600A DH	(1) #1/0	(1) 750 kcmil	Cu/Al
600A DT (Fusible)			
600A DT (Non-Fusible)	(2) #250	(2) 500 kcmil	Cu/Al
800A DH	(4) #1/0	(4) 750 kcmil	Cu/Al
800A DT	(3) #250	(3) 500 kcmil	Cu/Al
1200A DH	(4) #1/0	(4) 750 kcmil	Cu/Al

Copper-Bodied Lugs

30A Cu	#14	#6	Cu
60A Cu	#14	#4	Cu
100A Cu	#6	#1/0	Cu
200A Cu	#6	250 kcmil	Cu
400A Cu	#1/0	500 kcmil	Cu
600A Cu	(2) #1/0	(2) 500 kcmil	Cu

^① The maximum size aluminum or copper-clad aluminum wire allowable for applications where the conductor enters or leaves the enclosure through the wall opposite its terminal is #1 gauge.

Note: Although certain lug capacities are larger than required, only minimum wire bending space is provided per the requirements noted in NEC Tables 373-6 (a) and (b) for respective ampere ratings.

Additional Safety Switch Flex Center Design Offerings

- Left-hand design (30 – 200A).
- Cover-mounted status lights and selector switches.
- Integrated:
 - Transient Voltage Surge Suppression (TVSS)
 - Current transformers
- Double throw receptacle switches.
- 200% neutrals.
- 1200A NEMA 4X stainless steel.
- Seam-welded stainless steel.
- Gang-operated kits:
 - Mechanically interlocks 2 or 3 separate switches
- Cam lock receptacles.
- Reverse feed.
- Reflective wave trap.
- Integrated wattmeter.
- Custom enclosures.
- Double throw switches with windows.
- 316 grade stainless steel.

Literature

The Safety Switch Flex Center's innovative approach to flexible engineering, manufacturing and customer service provides the shortest production, design and delivery cycle in the industry. Find out more about how the Safety Switch Flex Center can give you the safety switch solution you need...when you need them. Order Sales Aid SA.35I.01.S.E from Eaton's Cutler-Hammer Literature Fulfillment Center by calling **1-800-957-7050**.

Product Specifications

Table 8-23. Safety Switch Selection Guide

Safety Switch Type	Fuse Type	Fuse Class	Ampere Rating	Number of Poles	Enclosure Types						
					NEMA 1	NEMA 3R	NEMA 12	NEMA 4 Painted Steel	NEMA 4X Stainless Steel	NEMA 4X Non-Metallic	
General Duty	Fusible	Plug	—	30	1 and 2	YES	YES	—	—	—	—
		Cartridge	H	30 – 600	2 and 3	YES	YES	—	—	—	—
	Non-Fusible	—	—	30 – 600	2 and 3	YES	YES	—	—	—	—
Heavy Duty	Fusible	Cartridge	H L	30 – 600 800 – 1200	2, 3 and 4	YES Up to 1200A	YES Up to 1200A	YES ① Up to 800A	YES 400 – 800A	YES Up to 800A	YES Up to 200A
	Non-Fusible	—	—	30 – 1200	2, 3 and 4	YES	YES	YES ① Up to 800A	YES 400 – 800A	YES Up to 800A	YES Up to 200A
6-Pole Motor Circuit	Fusible	Cartridge	H	30 – 200	6	—	YES	YES ①	—	YES	—
	Non-Fusible	—	—	30 – 200	6	—	YES	YES ①	—	YES	—
Double Throw	Fusible	Cartridge	H T (600V) T (240V)	30 – 200 400 600	2 and 3	YES Up to 600A	YES Up to 200A	—	—	—	—
	Non-Fusible	—	—	30 – 800	2, 3, 4 and 6	YES	YES	YES Up to 400A	—	YES Up to 400A	—
Rotary Switches	Max. 600V AC	Non-Fusible	—	—	16 – 125	3, 4	YES	YES ①	YES ①	—	YES

① NEMA 12 enclosures (30 – 200 amperes) can be field modified to meet NEMA 3R rainproof requirements when a factory provided drain screw is removed.

Table 8-24. EnviroLine Safety Switch Selection Guide

EnviroLine	Fuse Type	Fuse Class	Ampere Rating	Number of Poles	Enclosure Types						
					NEMA 1	NEMA 3R	NEMA 12	NEMA 4 Painted Steel	NEMA 4X Stainless Steel	NEMA 4X Non-Metallic	
Stainless Enclosure with Stainless Mechanism	Fusible	Cartridge	H	30 – 400	2 and 3	—	—	—	—	YES	—
	Non-Fusible	—	—	30 – 400	3	—	—	—	—	YES	—
Viewing Window Upper and Lower ②③	Fusible	Cartridge	H L	30 – 600 800	3	—	—	YES ④	YES	YES	—
	Non-Fusible	—	—	30 – 800	3	—	—	YES ④	YES	YES	—
Receptacle	Fusible	Cartridge	H	30 – 100	3	—	—	YES	—	YES	—
	Non-Fusible	—	—	60	3	—	—	YES	—	YES	—
Non-Metallic	Fusible	Cartridge	H	30 – 200	3	—	—	—	—	—	YES
	Non-Fusible	—	—	30 – 200	3	—	—	—	—	—	YES

② 800A Upper Window switches are not UL listed.

③ Lower Window switches are available through 600A.

④ NEMA 12 enclosures (30 – 200 amperes) can be field modified to meet NEMA 3R rainproof requirements when a factory provided drain screw is removed.

Technical Data and Specifications

Dimensions

Table 8-25. General Duty, Plug Fuse, 120, 120/240V, 1-, 2-Pole Solid Neutral, Single Throw

Ampere Rating	NEMA 1		
	Dimensions in Inches (mm)		
	Height	Width	Depth
30	6-7/8 (175)	4-15/16 (125)	3-7/16 (87)

Table 8-26. General Duty, Non-Fusible, 240V, 3-Pole, Single Throw

Ampere Rating	NEMA 1			NEMA 3R		
	Dimensions in Inches (mm)			Dimensions in Inches (mm)		
	Height	Width	Depth	Height	Width	Depth
30	10-11/16 (271)	6-3/8 (162)	6-7/8 (175)	10-13/16 (274)	6-3/8 (162)	6-7/8 (175)
60	14-3/16 (361)	8-11/16 (221)	7-3/8 (187)	14-3/8 (365)	8-11/16 (221)	7-3/8 (187)
100	18-13/16 (478)	9-1/8 (231)	7-3/8 (187)	19-1/4 (489)	9-1/8 (231)	7-3/8 (187)
200	25-1/4 (641)	16 (406)	11-1/4 (286)	25-1/2 (648)	16 (406)	11-1/4 (286)
400	44-3/4 (1136)	23 (584)	12-5/8 (321)	45-3/16 (1148)	23 (584)	12-5/8 (321)
600	52-1/4 (1327)	24 (610)	14-1/4 (362)	52-11/16 (1339)	24 (610)	14-1/4 (362)

Note: Dimensions are for estimating purposes only.

Table 8-27. General Duty, Fusible, 240V, 3-Pole Solid Neutral, Single Throw

Ampere Rating	NEMA 1			NEMA 3R		
	Dimensions in Inches (mm)			Dimensions in Inches (mm)		
	Height	Width	Depth	Height	Width	Depth
30	10-11/16 (271)	6-3/8 (162)	6-7/8 (175)	10-13/16 (274)	6-3/8 (162)	6-7/8 (175)
60	14-3/16 (361)	8-11/16 (221)	7-3/8 (187)	14-3/8 (365)	8-11/16 (221)	7-3/8 (187)
100	18-13/16 (478)	9-1/8 (231)	7-3/8 (187)	19-1/4 (489)	9-1/8 (231)	7-3/8 (187)
200	24-3/4 (629)	16 (406)	11-1/4 (286)	25-1/2 (648)	16 (406)	11-1/4 (286)
400	44-3/4 (1136)	23 (584)	12-5/8 (321)	45-3/16 (1148)	23 (584)	12-5/8 (321)
600	52-1/4 (1327)	24 (610)	14-1/4 (362)	52-11/16 (1339)	24 (610)	14-1/4 (362)

Note: Dimensions are for estimating purposes only. Not applicable to plug fuse.

Table 8-28. General Duty, Non-Fusible, 240V, 2-Pole Solid Neutral, Double Throw, Compact Design

Ampere Rating	NEMA 3R		
	Dimensions in Inches (mm)		
	Height	Width	Depth
30	14-11/16 (374)	9-5/8 (244)	10-13/16 (275)
60	14-11/16 (374)	9-5/8 (244)	10-13/16 (275)
100	14-11/16 (374)	9-5/8 (244)	10-13/16 (275)

Table 8-29. General Duty, Non-Fusible, 240V, 2-Pole Solid Neutral, Double Throw, Quick-Make, Quick-Break Design

Ampere Rating	NEMA 3R		
	Dimensions in Inches (mm)		
	Height	Width	Depth
30	24-5/8 (625)	11-15/16 (303)	9-7/8 (251)
60	24-5/8 (625)	11-15/16 (303)	9-7/8 (251)
100	24-5/8 (625)	11-15/16 (303)	9-7/8 (251)
200	37-3/8 (949)	19-9/16 (497)	11-1/4 (286)
400	53-13/16 (1367)	23-1/8 (587)	12-1/2 (318)

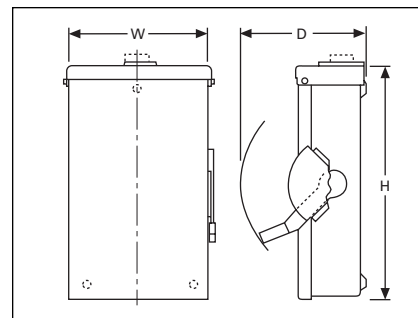


Figure 8-1. NEMA 1-3R 30 – 100 Amperes General Duty Non-Fusible and Fusible Single Throw

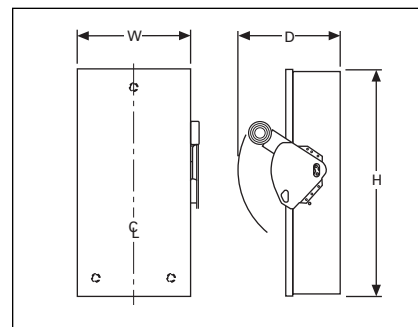


Figure 8-2. NEMA 1-3R 200 – 600 Amperes General Duty Non-Fusible and Fusible Single Throw

Technical Data and Specifications

Dimensions

Note: Dimensions are for estimating purposes only.

Table 8-30. Heavy Duty, Non-Fusible, 600V, 3-Pole, Single Throw

Ampere Rating	NEMA 1, 3R			NEMA 12, 4XSS		
	Dimensions in Inches (mm)			Dimensions in Inches (mm)		
	Height	Width	Depth	Height	Width	Depth
30	15-7/8 (403)	8-1/8 (206)	10 (254)	12-1/8 (308)	8-1/8 (206)	10 (254)
60	15-7/8 (403)	8-1/8 (206)	10 (254)	12-1/8 (308)	8-1/8 (206)	10 (254)
100	21-11/16 (551)	11-1/8 (283)	10 (254)	24 (610)	11-1/8 (283)	10-1/4 (260)
200	27-5/8 (702)	16 (406)	11-1/4 (286)	34-3/8 (873)	16 (406)	11-1/2 (292)
400	45-3/16 (1148)	23 (584)	12-5/8 (321)	57-5/8 (1464)	23 (584)	12-5/8 (321)
600	52-11/16 (1339)	24 (610)	14-1/4 (362)	63 (1600)	24 (610)	14-1/4 (362)
800	56-11/16 (1440)	25-3/8 (645)	14-1/4 (362)	71-3/4 (1822)	25-3/8 (645)	14-1/4 (362)
1200	70-5/16 (1786)	41-15/32 (1053)	19-15/16 (507)	70-5/16 (1786)	41-15/32 (1053)	19-15/16 (507)

Note: 600A dimensions become applicable in the second quarter of 2002.

Table 8-31. Heavy Duty, Fusible, 240V and 600V, 3-Pole Solid Neutral, Single Throw

Ampere Rating	NEMA 1, 3R			NEMA 12, 4XSS		
	Dimensions in Inches (mm)			Dimensions in Inches (mm)		
	Height	Width	Depth	Height	Width	Depth
30	15-7/8 (403)	8-1/8 (206)	10 (254)	17-7/8 (454)	8-1/8 (206)	10 (254)
60	15-7/8 (403)	8-1/8 (206)	10 (254)	17-7/8 (454)	8-1/8 (206)	10 (254)
100	21-11/16 (551)	11-1/8 (283)	10 (254)	24 (610)	11-1/8 (283)	10-1/4 (260)
200	27-5/8 (702)	16 (406)	11-1/4 (286)	34-3/8 (873)	16 (406)	11-1/2 (292)
400	45-3/16 (1148)	23 (584)	12-5/8 (321)	57-5/8 (1464)	23 (584)	12-5/8 (321)
600	52-11/16 (1339)	24 (610)	14-1/4 (362)	63 (1600)	24 (610)	14-1/4 (362)
800	56-11/16 (1440)	25-3/8 (645)	14-1/4 (362)	71-3/4 (1822)	25-3/8 (645)	14-1/4 (362)
1200	70-5/16 (1786)	41-15/32 (1053)	19-15/16 (507)	70-5/16 (1786)	41-15/32 (1053)	19-15/16 (507)

Note: 600A dimensions become applicable in the second quarter of 2002.

Table 8-32. Heavy Duty, Non-Fusible, 240V and 600V, 3-Pole, Double Throw

Ampere Rating	NEMA 1, 3R			NEMA 12, 4XSS		
	Dimensions in Inches (mm)			Dimensions in Inches (mm)		
	Height	Width	Depth	Height	Width	Depth
30	24-5/8 (625)	11-15/16 (303)	9-7/8 (251)	25-7/8 (657)	12 (305)	10-1/4 (260)
60	24-5/8 (625)	11-15/16 (303)	9-7/8 (251)	25-7/8 (657)	12 (305)	10-1/4 (260)
100	24-5/8 (625)	11-15/16 (303)	9-7/8 (251)	25-7/8 (657)	12 (305)	10-1/4 (260)
200	37-3/8 (949)	19-9/16 (497)	11-1/4 (286)	41 (1041)	19-1/2 (495)	11-5/8 (295)
400	53-13/16 (1367)	23-1/8 (587)	12-1/2 (318)	57-1/2 (1460)	23 (584)	12-1/2 (318)
600	63-5/16 (1608)	24-1/8 (613)	14-1/8 (359)	—	—	—
800	63-5/16 (1608)	24-1/8 (613)	14-1/8 (359)	—	—	—

Table 8-33. Heavy Duty, Fusible, 240V and 600V, 3-Pole, Double Throw

Ampere Rating	NEMA 1, 3R			NEMA 12, 4XSS		
	Dimensions in Inches (mm)			Dimensions in Inches (mm)		
	Height	Width	Depth	Height	Width	Depth
30	36-5/8 (930)	11-15/16 (303)	9-7/8 (251)	39-13/16 (1011)	12 (305)	10-1/4 (260)
60	36-5/8 (930)	11-15/16 (303)	9-7/8 (251)	39-13/16 (1011)	12 (305)	10-1/4 (260)
100	36-5/8 (930)	11-15/16 (303)	9-7/8 (251)	39-13/16 (1011)	12 (305)	10-1/4 (260)
200	50-7/8 (1292)	19-9/16 (497)	11-1/4 (286)	55-5/8 (1413)	19-9/16 (497)	11-5/8 (295)
400	74-3/4 (1898)	25-3/8 (645)	14-1/8 (359)	74-3/4 (1899)	25-3/8 (645)	14-1/8 (359)
600	86-1/8 (2188)	27-7/16 (697)	14-1/8 (359)	—	—	—

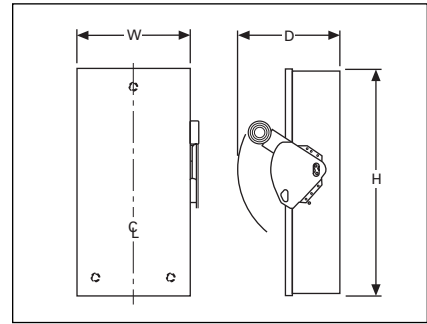


Figure 8-3. NEMA 1-3R Heavy Duty 30 – 1200 Amperes

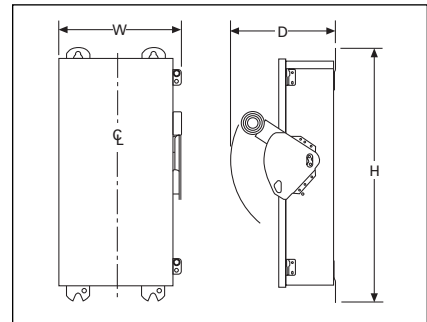


Figure 8-4. NEMA 4, 12 Heavy Duty 30 – 800 Amperes

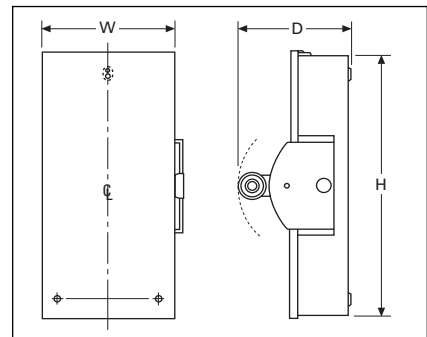


Figure 8-5. NEMA 1-3R Double Throw 30 – 800 Amperes

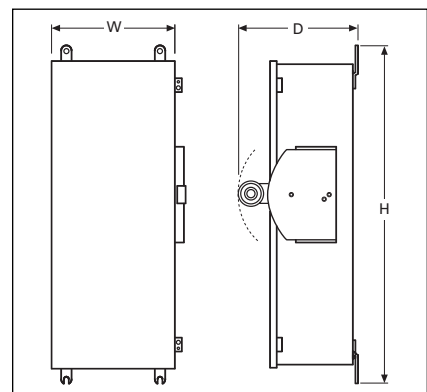


Figure 8-6. NEMA 12-4X Double Throw 30 – 400 Amperes

January 2003
Vol. 1, Ref. No. [0251]

Short Circuit Ratings

General Duty

Table 8-34. Short Circuit Ratings Using Class "R", "J" or "T" Fusing where Applicable

Ampere Rating	Voltage Ratings	
	Type 1	Type 3R
30	100k at 240	100k at 240
60	100k at 240	100k at 240
100	100k at 240	100k at 240
200	100k at 240	100k at 240
400	100k at 250	100k at 250
600	100k at 250	100k at 250

Note: Class "H" fuse clips supplied as standard for 30 – 600 amperes. Rated at 10,000 rms symmetrical when using Class "H" fuses.

Heavy Duty

Table 8-35. Short Circuit Ratings Using Class "R", "J" or "T" Fusing where Applicable

Ampere Rating	Voltage Ratings			
	Type 1	Type 3R	Type 12	Type 4 and 4X
30	200k at 600	200k at 600	200k at 600	200k at 600
60	200k at 600	200k at 600	200k at 600	200k at 600
100	200k at 480 100k at 600	200k at 480 100k at 600	200k at 600	200k at 600
200	200k at 600	200k at 600	200k at 600	200k at 600
400	200k at 480 100k at 600	200k at 480 100k at 600	200k at 480 100k at 600	200k at 480 100k at 600
600	200k at 480 100k at 600	200k at 480 100k at 600	200k at 480 100k at 600	200k at 480 100k at 600
800	200k at 480 100k at 600	200k at 480 100k at 600	200k at 480 100k at 600	200k at 480 100k at 600
1200	200k at 600	200k at 600	—	—

Note: Class "H" fuse clips supplied as standard for 30 – 600 amperes. Rated at 10,000 rms symmetrical when using Class "H" fuses.

Double Throw

Table 8-36. Short Circuit Ratings Using Class "R", "J" or "T" Fusing where Applicable

Ampere Rating	Voltage Ratings			
	Type 1	Type 3R	Type 12	Type 4 and 4X
30	100k at 600	100k at 600	100k at 600	100k at 600
60	100k at 600	100k at 600	100k at 600	100k at 600
100	100k at 600	100k at 600	100k at 600	100k at 600
200	100k at 600	100k at 600	100k at 600	100k at 600
400	100k at 600	100k at 600	100k at 600	100k at 600
600	100k at 600	100k at 600	100k at 600	100k at 600
800	100k at 600	100k at 600	—	—

Note: Class "H" fuse clips supplied as standard for 30 – 600 amperes except Class "T" for 400 amperes at 600 volts and 600 amperes at 240 volts. Rated at 10,000 rms symmetrical when using Class "H" fuses.

Non-Fusible Switches

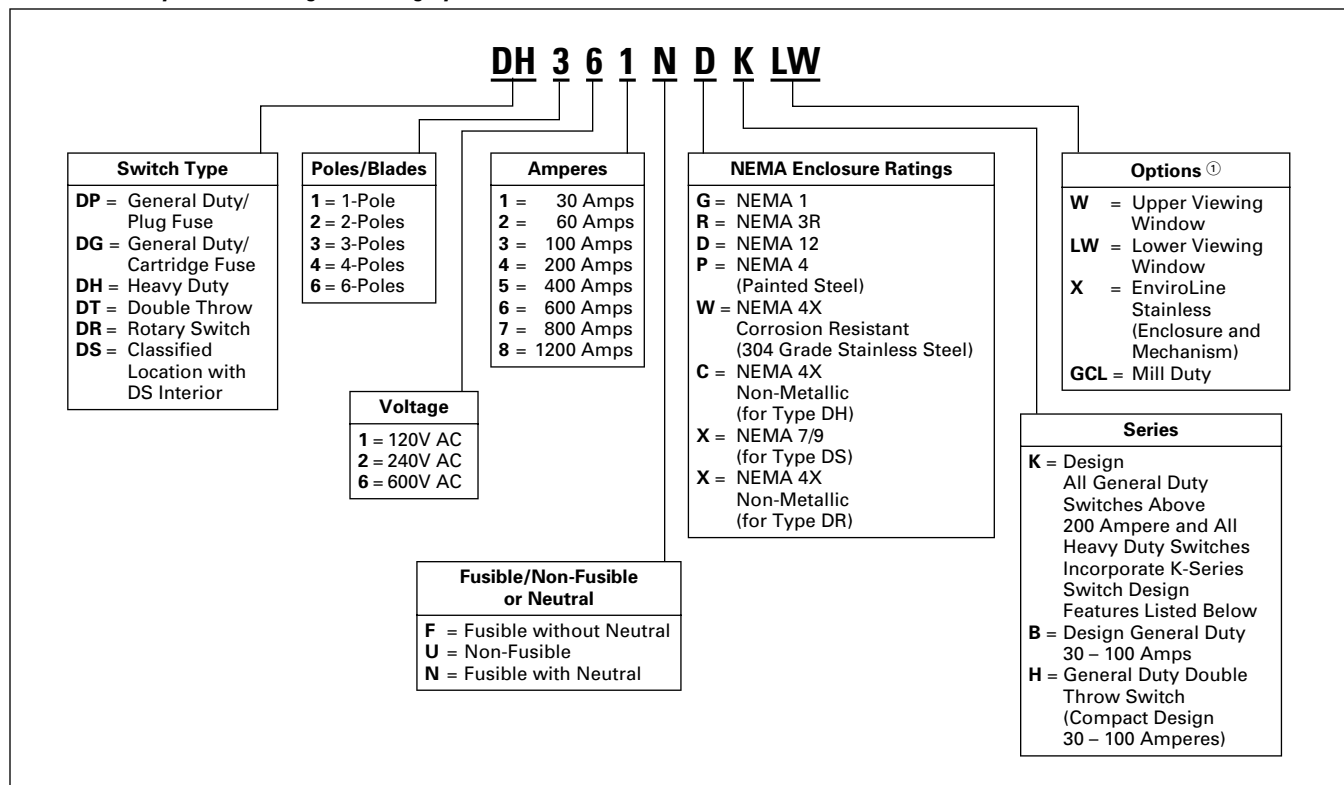
The UL listed short circuit ratings for Cutler-Hammer Non-Fusible switches by Eaton Corporation are based on the switches being properly protected by overcurrent protective devices. For applications that require a UL listed short circuit rating of 10,000 rms symmetrical amperes or less, a Cutler-Hammer Non-Fusible switch must be properly protected by any overcurrent protective device rated no greater than the ampere rating of the switch. For applications that require a UL listed short circuit rating of greater than 10,000 rms symmetrical amperes, a Cutler-Hammer Non-Fusible switch must be properly protected by the appropriate class and size fusing noted on the switch publication (located on the inside cover). Otherwise, this Non-Fusible switch must be replaced with a Cutler-Hammer Fusible switch that utilizes the appropriate fusing required. Molded case circuit breaker protection of Non-Fusible Cutler-Hammer switches for applications that require a short circuit rating of greater than 10,000 rms symmetrical amperes has not been evaluated. Refer to the reference tables for typical Cutler-Hammer fusible switch UL listed short circuit ratings.

Note: Safety switch short circuit ratings are applicable to AC only.

Note: Safety switch I^2t and I_p values are identical to UL maximum acceptable I^2t and I_p values for the corresponding class fuse.

Product Selection

Table 8-37. Safety Switch Catalog Numbering System



① See Pages 8-6 through 8-9 for additional Flex Center options.

January 2003
Vol. 1, Ref. No. [0253]

Product Selection

120/240V AC General Duty, Fusible, Single Throw

Specifications

- 30 – 600 amperes.
- Suitable for service entrance applications unless otherwise noted.
- Horsepower rated.
- Bolt-on hub provision. Provided for general duty switches in a NEMA 3R enclosure. See **Page 8-5** for selection.
- UL listed File No. E5239. Meets UL 98 for enclosed switches and NEMA Std. KS-1.
- 200 – 600 ampere switches incorporate K-Series design.



DP221NGB
(New plug fuse design available first quarter of 2002)



DG321NRB

Table 8-38. 120/240V AC General Duty, Fusible, Single Throw

System	Ampere Rating	Fuse Type Provision	Maximum Horsepower Ratings ^①				NEMA 1 Enclosure Indoor		NEMA 3R Enclosure Rainproof	
			1-Phase AC		3-Phase AC	DC	Catalog Number	Price U.S. \$	Catalog Number	Price U.S. \$
			120V	240V	240V	250V				

Fusible — Plug Type ^②

2-Wire (One Blade, One Fuse, S/N) — 120V AC

	30	Plug (Type S, T or W)	1/2 – 2	—	—	—	DP111NGB	58.	—	—
--	----	-----------------------	---------	---	---	---	----------	-----	---	---

3-Wire (Two Blades, Two Fuses, S/N) — 120/240V AC

	30	Plug (Type S, T or W)	1/2 – 2	1-1/2 – 3	—	—	DP221NGB	66.	Use cartridge-type fuse catalog number DG221NRB	—
--	----	-----------------------	---------	-----------	---	---	----------	-----	---	---

Fusible — Cartridge Type

2-Pole 2-Wire (Two Blades, Two Fuses) — 240V AC

	30	—	—	1-1/2 – 3	3 – 7-1/2 ^⑤	—	^③	—	^③	—
	60	—	—	3 – 10	7-1/2 – 15	—	^③	—	^③	—
	100	—	—	7-1/2 – 15	15 – 30	—	^③	—	^③	—
	200	—	—	15	25 – 60	—	^③	—	^③	—
	400	H	—	—	50 – 125	—	DG225FGK ^④	1,770.	DG225FRK ^④	2,380.
	600	H	—	—	75 – 200	—	DG226FGK ^④	3,565.	DG226FRK ^④	4,565.

3-Wire (Two Blades, Two Fuses, S/N) — 120/240V AC

	30	H	—	1-1/2 – 3	3 – 7-1/2 ^⑤	—	DG221NGB	91.	DG221NRB	166.
	60	H	—	3 – 10	7-1/2 – 15 ^⑤	—	DG222NGB	146.	DG222NRB	280.
	100	H	—	7-1/2 – 15	15 – 30 ^⑤	—	DG223NGB	304.	DG223NRB	342.
	200	H	—	15	25 – 60 ^⑤	—	DG224NGK	650.	DG224NRK	855.
	400	H	—	—	50 – 125 ^⑤	50	DG225NGK	2,030.	DG225NRK	2,640.
	600	H	—	—	75 – 200 ^⑤	—	DG226NGK	3,840.	DG226NRK	4,865.

^① Maximum hp ratings apply only when dual element time delay fuses are used.

^② These switches do not have an interlock which prevents door from being opened when switch is in the ON position.

^③ Use 3-wire catalog numbers below.

^④ Solid neutral bars are not included in 400A and 600A switches. Order separately from **Table 8-1** on **Page 8-4**.

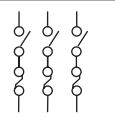
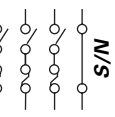
^⑤ Grounded B phase rating, UL listed.

Note: All general duty safety switches are individually packaged.

Product Selection

120/240V AC General Duty, Fusible, Single Throw

Table 8-39. 120/240V AC General Duty, Fusible, Single Throw

System	Ampere Rating	Fuse Type Provision	Maximum Horsepower Ratings ①				NEMA 1 Enclosure Indoor		NEMA 3R Enclosure Rainproof	
			1-Phase AC		3-Phase AC	DC	Catalog Number	Price U.S. \$	Catalog Number	Price U.S. \$
			120V	240V	240V	250V				
3-Pole 3-Wire (Three Blades, Three Fuses) — 240V AC										
	30	H	—	—	—	—	②	—	②	—
	60	H	—	—	—	—	②	—	②	—
	100	H	—	—	—	—	②	—	②	—
	200	H	—	—	—	—	②	—	②	—
	400	H	—	—	50 – 125	—	DG325FGK ③	2,200.	DG325FRK ③	2,695.
	600	H	—	—	75 – 200	—	DG326FGK ③	4,005.	DG326FRK ③	5,460.
4-Wire (Three Blades, Three Fuses, S/N) — 120/240V AC										
	30	H	—	1-1/2 – 3	3 – 7-1/2	—	DG321NGB	141.	DG321NRB	210.
	60	H	—	3 – 10	7-1/2 – 15	—	DG322NGB	233.	DG322NRB	318.
	100	H	—	7-1/2 – 15	15 – 30	—	DG323NGB	397.	DG323NRB	580.
	200	H	—	15	25 – 60	—	DG324NGK	860.	DG324NRK	1,070.
	400	H	—	—	50 – 125	—	DG325NGK	2,275.	DG325NRK	2,780.
	600	H	—	—	75 – 200	—	DG326NGK	4,160.	DG326NRK	5,780.

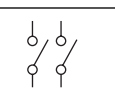
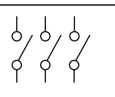
- ① Maximum hp ratings apply only when dual element time delay fuses are used.
- ② Use 4-wire catalog numbers below.
- ③ Solid neutral bars are not included in 400A and 600A switches. Order separately from Table 8-1 on Page 8-4.

120/240V AC General Duty, Non-Fusible, Single Throw



DG321NRB

Table 8-40. 120/240V AC General Duty, Non-Fusible, Single Throw

System	Ampere Rating	Maximum Horsepower Ratings				NEMA 1 Enclosure Indoor		NEMA 3R Enclosure Rainproof	
		1-Phase AC		3-Phase AC	DC	Catalog Number	Price U.S. \$	Catalog Number	Price U.S. \$
		120V	240V	240V	250V				
Non-Fusible — 2-Pole 2-Wire (Two Blades) — 240V AC									
	30	2	3	—	—	DG221UGB ④	102.	DG221URB ④	137.
	60	3	10	—	—	DG222UGB ④	132.	DG222URB ④	245.
	100	—	15	—	—	DG223UGB ④	273.	DG223URB ④	330.
	200	—	—	—	—	④⑤	—	④⑤	—
3-Pole 3-Wire (Three Blades) — 240V AC									
	30	2	3	7-1/2	—	DG321UGB ④	115.	DG321URB ④	209.
	60	3	10	15	—	DG322UGB ④	145.	DG322URB ④	318.
	100	—	15	30	—	DG323UGB ④	342.	DG323URB ④	580.
	200	—	15	60	—	DG324UGK ④	615.	DG324URK ④	1,040.
	400	—	—	125	—	DG325UGK ⑥	1,595.	DG325URK ⑥	2,460.
	600	—	—	200	—	DG326UGK ⑥	3,015.	DG326URK ⑥	4,515.

- ④ **WARNING!** Switch is not approved for service entrance unless a neutral kit is installed.
- ⑤ Use 3-wire catalog numbers below.
- ⑥ Drilled to accept field installed neutral kits.

Note: All general duty safety switches are individually packaged.

This page intentionally left blank.

Product Selection

240V AC Heavy Duty, Fusible, Single Throw

Specifications

- 30 – 1200 amperes.
- Horsepower rated through 800 amperes.
- Suitable for service entrance use, except 4-pole switches.
- UL listed File No. E5239.
- For factory modifications refer to Pages 8-6 through 8-9.



DH323FGK

Table 8-41. Fusible

System	Ampere Rating	Fuse Type Provision	Maximum Horsepower Ratings				NEMA 1 Enclosure Indoor		NEMA 3R Enclosure Rainproof		
			AC		DC 250V		Catalog Number	Price U.S. \$	Catalog Number	Price U.S. \$	
			Standard Fuse	Time Delay	1-Phase	3-Phase					
			1-Phase	3-Phase	1-Phase	3-Phase					
2-Pole — 240V AC, 250V DC (Suitable for Service Entrance Use with a Neutral or Ground Lug Kit Installed)											
	30	H	—	—	—	—	—	DH221FGK	172.	②	—
	60	—	—	—	—	—	—	②	—	②	—
	100	—	—	—	—	—	—	②	—	②	—
	200	—	—	—	—	—	—	②	—	②	—
	400	H	—	50 ①	—	125 ①	50	DH225FGK	2,195.	DH225FRK	2,875.
	600	H	—	75 ①	—	200 ①	—	DH226FGK	4,230.	DH226FRK	5,530.
	800	L	—	100 ①	—	250 ①	—	DH227FGK	7,310.	—	—
3-Wire (Two Blades, Two Fuses, S/N) — 240V AC, 250V DC											
	30	H	1-1/2	3 ③	3	7-1/2 ③	5	DH221NGK	179.	DH221NRK	346.
	60	H	3	7-1/2 ③	10	15 ③	10	DH222NGK	336.	DH222NRK	615.
	100	H	7-1/2	15 ③	15	30 ③	20	DH223NGK	525.	DH223NRK	805.
	200	H	15	25 ③	15	60 ③	40	DH224NGK	985.	DH224NRK	1,205.
	400	H	—	50 ③	—	125 ③	50	DH225NGK	2,380.	DH225NRK	3,220.
	600	H	—	75 ③	—	200 ③	—	DH226NGK	4,375.	DH226NRK	5,880.
	800	L	—	100 ③	—	250 ③	—	DH227NGK	7,750.	DH227NRK	9,390.
3-Pole — 240V AC, 250V DC (Suitable for Service Entrance Use with a Neutral or Ground Lug Kit Installed)											
	30	H	1-1/2	3	—	7-1/2	—	DH321FGK	243.	DH321FRK	420.
	60	H	3	7-1/2	—	15	—	DH322FGK	412.	DH322FRK	685.
	100	H	7-1/2	15	—	30	20	DH323FGK	670.	DH323FRK	970.
	200	H	15	25	—	60	40	DH324FGK	1,050.	DH324FRK	1,300.
	400	H	—	50	—	125	50	DH325FGK	2,540.	DH325FRK	3,115.
	600	H	—	75	—	200	—	DH326FGK	4,655.	DH326FRK	6,280.
	800	L	—	100	—	250	—	DH327FGK	8,720.	DH327FRK	11,520.
1200	L	—	—	—	—	—	DH328FGK	10,390.	DH328FRK	13,600.	
4-Wire (Three Blades, Three Fuses, S/N) — 240V AC, 250V DC											
	30	H	—	3	—	7-1/2	—	DH321NGK	223.	DH321NRK	443.
	60	H	—	7-1/2	—	15	—	DH322NGK	384.	DH322NRK	695.
	100	H	—	15	—	30	20	DH323NGK	615.	DH323NRK	1,000.
	200	H	—	25	—	60	—	DH324NGK	1,115.	DH324NRK	1,350.
	400	H	—	50	—	125	50	DH325NGK	2,875.	DH325NRK	3,290.
	600	H	—	75	—	200	—	DH326NGK	4,930.	DH326NRK	6,610.
	800	L	—	100	—	250	—	DH327NGK	9,370.	DH327NRK	12,100.
1200	L	—	—	—	—	—	DH328NGK	11,040.	DH328NRK	14,360.	
4-Pole — 240V AC, 250V DC											
	30	H	3	3	10	7-1/2	5	DH421FGK	449.	④	—
	60	H	7-1/2	7-1/2	20	15	10	DH422FGK	615.	④	—
	100	H	15	15	30	30	20	DH423FGK	960.	④	—
	200	H	30	25	50	60	40	DH424FGK	1,635.	④	—
	400	H	50	50	—	125	50	DH425FGK	4,140.	⑤	—
	600	H	—	75	—	200	—	DH426FGK	7,130.	⑤	—

① Hp ratings apply only when neutral is field installed and switch is used on a grounded B phase system.
 ② Use 3-pole catalog numbers below.
 ③ Grounded B phase ratings, UL listed.
 ④ NEMA 12 enclosures (30 – 200 amperes) can be field modified to meet NEMA 3R rainproof requirements when a factory provided drain hole is opened.
 ⑤ Contact the Safety Switch Flex Center (1-888-329-9272) for availability of this product.

Note: 30A heavy duty switches with Type J fuse provisions are available from the factory only. See Table 8-15 on Page 8-7 for catalog numbers.

Discount Symbol. 22-CD



DH322NRK

Table 8-41. Fusible (Continued)

Ampere Rating	NEMA 12 Enclosure Industrial, Dust-tight		NEMA 4 Enclosure Watertight, Painted Steel		NEMA 4X Enclosure Corrosion Resistant, Stainless Steel		NEMA 4X Enclosure Corrosion Resistant, Non-Metallic	
	Catalog Number	Price U.S. \$	Catalog Number	Price U.S. \$	Catalog Number	Price U.S. \$	Catalog Number	Price U.S. \$
2-Pole — 240V AC, 250V DC (Suitable for Service Entrance Use with a Neutral or Ground Lug Kit Installed)								
30	⑥	—	—	—	⑥	—	⑥	—
60	⑥	—	—	—	⑥ or ⑦	—	⑥	—
100	⑥	—	—	—	⑦	—	⑥	—
200	⑥	—	—	—	⑦	—	⑥	—
400	DH225FDK	3,020.	DH225FPK	10,470.	⑦	—	—	—
600	DH226FDK	5,710.	DH226FPK	14,990.	⑦	—	—	—
800	DH227FDK	7,530.	—	—	⑦	—	—	—
3-Wire (Two Blades, Two Fuses, S/N) — 240V AC, 250V DC								
30	DH221NDK ⑧	410.	—	—	DH221NWK	1,515.	⑨	—
60	DH222NDK ⑧	655.	—	—	DH222NWK	1,845.	⑨	—
100	DH223NDK ⑧	875.	—	—	DH223NWK	3,565.	⑨	—
200	DH224NDK ⑧	1,335.	—	—	DH224NWK	5,450.	⑨	—
400	DH225NDK	3,315.	DH225NPK	10,480.	DH225NWK	12,150.	—	—
600	DH226NDK	6,060.	DH226NPK	15,020.	DH226NWK	15,820.	—	—
800	DH227NDK	9,650.	DH227NPK	15,840.	DH227NWK	19,300.	—	—
3-Pole — 240V AC, 250V DC (Suitable for Service Entrance Use with a Neutral or Ground Lug Kit Installed)								
30	DH321FDK ⑧	425.	—	—	DH321FWK	1,550.	⑩	—
60	DH322FDK ⑧	685.	—	—	DH322FWK	1,915.	⑩	—
100	DH323FDK ⑧	975.	—	—	⑦	—	⑩	—
200	DH324FDK ⑧	1,445.	—	—	DH324FWK	5,490.	⑩	—
400	DH325FDK	3,205.	DH325FPK	10,550.	DH325FWK	12,240.	—	—
600	DH326FDK	6,460.	DH326FPK	15,050.	DH326FWK	17,470.	—	—
800	DH327FDK	11,880.	DH327FPK	18,390.	DH327FWK	21,340.	—	—
1200	⑦	—	—	—	⑦	—	—	—
4-Wire (Three Blades, Three Fuses, S/N) — 240V AC, 250V DC								
30	DH321NDK ⑧	535.	—	—	DH321NWK	1,720.	⑩	—
60	DH322NDK ⑧	715.	—	—	DH322NWK	2,095.	⑩	—
100	DH323NDK ⑧	1,165.	—	—	DH323NWK	4,175.	⑩	—
200	DH324NDK ⑧	1,655.	—	—	DH324NWK	5,870.	⑩	—
400	DH325NDK	3,615.	DH325NPK	10,790.	DH325NWK	13,270.	—	—
600	DH326NDK	6,800.	DH326NPK	15,460.	DH326NWK	17,940.	—	—
800	⑦	—	—	—	⑦	—	—	—
1200	⑦	—	—	—	⑦	—	—	—
4-Pole — 240V AC, 250V DC								
30	DH421FDK ⑧	655.	—	—	⑦	—	—	—
60	DH422FDK ⑧	795.	—	—	⑦	—	—	—
100	DH423FDK ⑧	1,280.	—	—	⑦	—	—	—
200	DH424FDK ⑧	2,200.	—	—	⑦	—	—	—
400	⑦	—	—	—	⑦	—	—	—
600	⑦	—	—	—	⑦	—	—	—

⑥ Use 3-pole catalog numbers below.
 ⑦ Contact the Safety Switch Flex Center (1-888-329-9272) for availability of this product.
 ⑧ NEMA 12 enclosures (30 – 200 amperes) can be field modified to meet NEMA 3R rainproof requirements when a factory provided drain hole is opened.
 ⑨ Use 4-wire catalog numbers below.
 ⑩ Refer to EnviroLine Non-Metallic Safety Switches on Page 8-35.

Product Selection

600V AC Heavy Duty, Fusible, Single Throw

Specifications

- 30 – 1200 amperes.
- Horsepower rated through 800 amperes.
- Suitable for service entrance use, except 1200 ampere on 480Y/277 or 600Y/347 grounded wye systems, per NEC 215-10 and 230-95, and 4-pole switches.
- UL listed File No. E5239.
- For factory modifications refer to Pages 8-6 through 8-9.



DH362NRK

Table 8-42. Fusible 277/480 – 600 Volts

System	Ampere Rating	Fuse Class Provision	Maximum Horsepower Ratings with Time Delay Fuses						NEMA 1 Enclosure Indoor		NEMA 3R Enclosure Rainproof	
			1-Phase AC		3-Phase AC		DC		Catalog Number	Price U.S. \$	Catalog Number	Price U.S. \$
			480V	600V	480V	600V	250V	600V				
2-Pole — 480V AC — 600V AC or DC ① (Suitable for Service Entrance Use with a Neutral or Ground Lug Kit Installed)												
	30	H	7-1/2	10	—	—	—	15	DH261FGK	380.	②	—
	60	H	20	25	—	—	—	25	DH262FGK	453.	②	—
	100	H	30	40	—	—	20	—	DH263FGK	855.	②	—
	200	H	50	50	—	—	—	50	DH264FGK	1,225.	②	—
	400	H	—	—	—	—	50	—	DH265FGK	3,250.	②	—
	600	H	—	—	—	—	—	—	DH266FGK	5,140.	②	—
	800	L	—	—	—	—	—	—	DH267FGK	8,020.	②	—
1200	L	—	—	—	—	—	—	③	—	②	—	
3-Pole — 480V AC — 600V AC, 250V DC (Suitable for Service Entrance Use with a Neutral or Ground Lug Kit Installed)												
	30	H	7-1/2	10	15	20	—	—	DH361FGK	400.	DH361FRK	705.
	60	H	20	25	30	50	—	—	DH362FGK	475.	DH362FRK	825.
	100	H	30	40	60	75	—	—	DH363FGK	925.	DH363FRK	1,215.
	200	H	50	50	125	150	—	—	DH364FGK	1,290.	DH364FRK	1,735.
	400	H	—	—	250	350	—	—	DH365FGK	3,445.	DH365FRK	4,125.
	600	H	—	—	400	500	—	—	DH366FGK	6,070.	DH366FRK	8,170.
	800	L	—	—	500	500	—	—	DH367FGK	10,170.	DH367FRK	12,530.
1200	L	—	—	—	—	—	—	DH368FGK	12,720.	DH368FRK	14,460.	
4-Wire (Three Blades, 3-Fuses, S/N) 480V AC — 600V AC, 250V DC												
	30	H	7-1/2	10	15	20	—	—	DH361NGK	454.	DH361NRK	750.
	60	H	20	25	30	50	—	—	DH362NGK	555.	DH362NRK	875.
	100	H	30	40	60	75	—	—	DH363NGK	995.	DH363NRK	1,325.
	200	H	50	50	125	150	—	—	DH364NGK	1,435.	DH364NRK	1,805.
	400	H	—	—	250	350	—	—	DH365NGK	3,715.	DH365NRK	4,380.
	600	H	—	—	400	500	—	—	DH366NGK	6,280.	DH366NRK	8,470.
	800	L	—	—	500	500	—	—	DH367NGK	10,770.	DH367NRK	13,180.
1200	L	—	—	—	—	—	—	DH368NGK	13,220.	DH368NRK	15,200.	
4-Pole — 480V AC — 600V AC, 250V DC			2-Phase AC		3-Phase AC							
	30	H	20	25	15	20	—	—	DH461FGK	655.	④	—
	60	H	40	50	30	50	—	—	DH462FGK	760.	④	—
	100	H	50	50	60	75	—	—	DH463FGK	1,255.	④	—
	200	H	—	—	125	150	40	—	DH464FGK	2,070.	④	—
	400	H	—	—	250	350	50	—	DH465FGK	5,660.	③	—
	600	H	—	—	400	500	—	—	DH466FGK	9,180.	③	—
	800	L	—	—	—	—	—	—	③	—	③	—

① DC rating for 400 – 800 ampere switches is 250 volts.
 ② Use 3-pole catalog numbers below.
 ③ Contact the Safety Switch Flex Center (1-888-329-9272) for availability of this product.
 ④ NEMA 12 enclosures (30 – 200 amperes) can be field modified to meet NEMA 3R rainproof requirements when a factory provided drain hole is opened.
Note: 30A heavy duty switches with Type J fuse provisions are available from the factory only. See Table 8-15 on Page 8-7 for catalog numbers.



DH361FWK

Table 8-42. Fusible 277/480 – 600 Volts (Continued)

Ampere Rating	NEMA 12 Enclosure Industrial, Dust-tight		NEMA 4 Enclosure Watertight, Painted Steel		NEMA 4X Enclosure Corrosion Resistant, Stainless Steel		NEMA 4X Enclosure Corrosion Resistant, Non-Metallic	
	Catalog Number	Price U.S. \$	Catalog Number	Price U.S. \$	Catalog Number	Price U.S. \$	Catalog Number	Price U.S. \$
2-Pole — 480V AC — 600V AC or DC ^⑤ (Suitable for Service Entrance Use with a Neutral or Ground Lug Kit Installed)								
30	DH261FDK ^⑥	685.	—	—	DH261FWK	1,820.	^⑦	—
60	DH262FDK ^⑥	700.	—	—	^⑦ or ^⑧	—	^⑦	—
100	DH263FDK ^⑥	1,045.	—	—	^⑦ or ^⑧	—	^⑦	—
200	DH264FDK ^⑥	1,610.	—	—	DH264FWK	5,580.	^⑦	—
400	DH265FDK	3,845. ^⑦	—	—	^⑦ or ^⑧	—	—	—
600	DH266FDK	5,950. ^⑦	—	—	^⑦ or ^⑧	—	—	—
800	DH267FDK	10,370. ^⑦	—	—	^⑦ or ^⑧	—	—	—
1200	^⑧	—	—	—	^⑧	—	—	—
3-Pole — 480V AC — 600V AC, 250V DC (Suitable for Service Entrance Use with a Neutral or Ground Lug Kit Installed)								
30	DH361FDK ^⑥	710.	—	—	DH361FWK	1,880.	^⑨	—
60	DH362FDK ^⑥	725.	—	—	DH362FWK	1,995.	^⑨	—
100	DH363FDK ^⑥	1,250.	—	—	DH363FWK	3,965.	^⑨	—
200	DH364FDK ^⑥	1,775.	—	—	DH364FWK	5,590.	^⑨	—
400	DH365FDK	4,140.	DH365FPK	10,500.	DH365FWK	12,970.	—	—
600	DH366FDK	8,420.	DH366FPK	15,930.	DH366FWK	18,840.	—	—
800	DH367FDK	12,900.	DH367FPK	18,800.	DH367FWK	21,920.	—	—
1200	^⑧	—	—	—	^⑧	—	—	—
4-Wire (Three Blades, 3-Fuses, S/N) 480V AC — 600V AC, 250V DC								
30	DH361NDK ^⑥	775.	—	—	DH361NWK	1,905.	^⑨	—
60	DH362NDK ^⑥	900.	—	—	DH362NWK	2,080.	^⑨	—
100	DH363NDK ^⑥	1,365.	—	—	DH363NWK	4,305.	^⑨	—
200	DH364NDK ^⑥	2,005.	—	—	DH364NWK	5,980.	^⑨	—
400	DH365NDK	4,510.	DH365NPK	10,780.	DH365NWK	13,530.	—	—
600	DH366NDK	8,720.	DH366NPK	16,200.	DH366NWK	19,400.	—	—
800	^⑧	—	—	—	^⑧	—	—	—
1200	^⑧	—	—	—	^⑧	—	—	—
4-Pole — 480V AC — 600V AC, 250V DC								
30	^{⑥⑧}	—	—	—	^⑧	—	—	—
60	^{⑥⑧}	—	—	—	^⑧	—	—	—
100	DH463FDK ^⑥	1,440.	—	—	^⑧	—	—	—
200	DH464FDK ^⑥	2,440.	—	—	^⑧	—	—	—
400	^⑧	—	—	—	^⑧	—	—	—
600	^⑧	—	—	—	^⑧	—	—	—
800	^⑧	—	—	—	^⑧	—	—	—

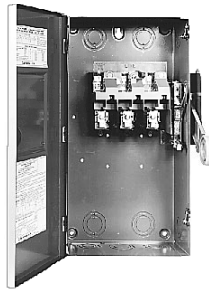
^⑤ DC rating for 400 – 800 ampere switches is 250 volts.
^⑥ NEMA 12 enclosures (30 – 200 amperes) can be field modified to meet NEMA 3R rainproof requirements when a factory provided drain hole is opened.
^⑦ Use 3-pole catalog numbers below.
^⑧ Contact the Safety Switch Flex Center (1-888-329-9272) for availability of this product.
^⑨ Refer to EnviroLine Non-Metallic Safety Switches on Page 8-35.

Product Selection

600V AC Heavy Duty, Non-Fusible, Single Throw

Specifications

- 30 – 1200 amperes.
- Horsepower rated through 800 amperes.
- Suitable for service entrance use, except 1200 ampere on 480Y/277 or 600Y/347 grounded wye systems, per NEC 215-10 and 230-95, and 4-pole switches.
- UL listed File No. E5239.
- For factory modifications refer to Pages 8-6 through 8-9.



DH362UGK

8

Table 8-43. Non-Fusible 277/480 – 600 Volts

System	Ampere Rating	Maximum Horsepower Ratings								NEMA 1 Enclosure Indoor		NEMA 3R Enclosure Rainproof		
		1-Phase AC			3-Phase AC			DC		Catalog Number	Price U.S. \$	Catalog Number	Price U.S. \$	
		240V	480V	600V	240V	480V	600V	250V	600V					
2-Pole — 480V AC — 600V AC or DC ① (Suitable for Service Entrance Use with a Neutral or Ground Lug Kit Installed)														
	30	3	7-1/2	10	—	—	—	—	15	DH261UGK	201.	②	—	
	60	10	20	25	—	—	—	—	25	DH262UGK	354.	②	—	
	100	20	30	40	—	—	—	20	25	DH263UGK	585.	②	—	
	200	15	50	50	—	—	—	—	50	—	—	②	—	
	400	—	—	—	—	—	—	50	—	DH265UGK	1,950.	②	—	
	600	—	—	—	—	—	—	—	—	DH266UGK	3,525.	②	—	
	800	—	—	—	—	—	—	—	—	DH267UGK	7,070.	②	—	
1200	—	—	—	—	—	—	—	—	③	—	②	—		
3-Pole — 480V AC — 600V AC, 250V DC (Suitable for Service Entrance Use with a Neutral or Ground Lug Kit Installed)														
	30	3	7-1/2	10	10	20	30	5	—	DH361UGK	213.		DH361URK	367.
	60	10	20	25	20	50	60	10	—	DH362UGK	367.		DH362URK	670.
	100	20	40	50	40	75	100	20	—	DH363UGK	615.		DH363URK	960.
	200	15	50	50	60	125	150	40	—	DH364UGK	930.		DH364URK	1,125.
	400	—	—	—	125	250	350	50	—	DH365UGK	2,160.		DH365URK	2,835.
	600	—	—	—	200	400	500	—	—	DH366UGK	3,830.		DH366URK	5,860.
	800	—	—	—	—	500	500	—	—	DH367UGK	7,580.		DH367URK	10,050.
1200	—	—	—	—	—	—	—	—	DH368UGK	9,750.		DH368URK	12,980.	
4-Pole — 480V AC — 600V AC, 250V DC														
	30	10	20	25	10	20	30	5	—	DH461UGK	615.	④	—	
	60	20	40	50	20	50	60	10	—	DH462UGK	655.	④	—	
	100	40	50	50	40	75	100	20	—	DH463UGK	1,205.	④	—	
	200	50	50	50	60	125	150	40	—	DH464UGK	1,745.	④	—	
	400	50	—	—	125	250	350	—	—	DH465UGK	3,695.	③	—	
	600	—	—	—	200	400	500	—	—	DH466UGK	6,450.	③	—	
	800	—	—	—	—	—	—	—	—	③	—	③	—	

① DC rating for 400 – 800 ampere switches is 250 volts.

② Use 3-pole catalog numbers below.

③ Contact the Safety Switch Flex Center (1-888-329-9272) for availability of this product.

④ NEMA 12 enclosures (30 – 200 amperes) can be field modified to meet NEMA 3R rainproof requirements when a factory provided drain hole is opened.



DH361UWK

Table 8-43. Non-Fusible 277/480 – 600 Volts (Continued)

Ampere Rating	NEMA 12 Enclosure Industrial, Dust-tight		NEMA 4 Enclosure Watertight, Painted Steel		NEMA 4X Enclosure Corrosion Resistant, Stainless Steel		NEMA 4X Enclosure Corrosion Resistant, Non-Metallic	
	Catalog Number	Price U.S. \$	Catalog Number	Price U.S. \$	Catalog Number	Price U.S. \$	Catalog Number	Price U.S. \$
2-Pole — 480V AC — 600V AC or DC ^⑤ (Suitable for Service Entrance Use with a Neutral or Ground Lug Kit Installed)								
30	DH261UDK ^⑥	380.	—	—	⑦	—	⑦	—
60	DH262UDK ^⑥	437.	—	—	⑦ or ⑧	—	⑦	—
100	DH263UDK ^⑥	820.	—	—	⑦ or ⑧	—	⑦	—
200	DH264UDK ^⑥	1,070.	—	—	⑦ or ⑧	—	⑦	—
400	DH265UDK	2,675. ^⑦	—	—	⑦ or ⑧	—	—	—
600	DH266UDK	4,545. ^⑦	—	—	⑦ or ⑧	—	—	—
800	DH267UDK	8,530. ^⑦	—	—	⑦ or ⑧	—	—	—
1200	⑧	—	—	—	⑧	—	—	—
3-Pole — 480V AC — 600V AC, 250V DC (Suitable for Service Entrance Use with a Neutral or Ground Lug Kit Installed)								
30	DH361UDK ^⑥	460.	—	—	DH361UWK	1,470. ^⑨	—	—
60	DH362UDK ^⑥	685.	—	—	DH362UWK	1,750. ^⑨	—	—
100	DH363UDK ^⑥	985.	—	—	DH363UWK	3,570. ^⑨	—	—
200	DH364UDK ^⑥	1,165.	—	—	DH364UWK	4,855. ^⑨	—	—
400	DH365UDK	2,890.	DH365UPK	9,390.	DH365UWK	10,420.	—	—
600	DH366UDK	6,040.	DH366UPK	13,090.	DH366UWK	16,140.	—	—
800	DH367UDK	10,360.	DH367UPK	18,390.	DH367UWK	21,330.	—	—
1200	⑧	—	—	—	⑧	—	—	—
4-Pole — 480V AC — 600V AC, 250V DC								
30	DH461UDK ^⑥	680.	—	—	DH461UWK	2,535.	—	—
60	DH462UDK ^⑥	795.	—	—	⑧	—	—	—
100	DH463UDK ^⑥	1,380.	—	—	⑧	—	—	—
200	DH464UDK ^⑥	2,080.	—	—	⑧	—	—	—
400	⑧	—	—	—	⑧	—	—	—
600	⑧	—	—	—	⑧	—	—	—
800	⑧	—	—	—	⑧	—	—	—

^⑤ DC rating for 400 – 800 ampere switches is 250 volts.
^⑥ NEMA 12 enclosures (30 – 200 amperes) can be field modified to meet NEMA 3R rainproof requirements when a factory provided drain hole is opened.
^⑦ Use 3-pole catalog numbers below.
^⑧ Contact the Safety Switch Flex Center (1-888-329-9272) for availability of this product.
^⑨ Refer to EnviroLine Non-Metallic Safety Switches on Page 8-36.

Product Selection

240V AC Heavy Duty, Fusible,
Non-Fusible, Double Throw

Specifications

- 30 – 800 amperes.
- Horsepower rated.
- Suitable for service entrance use with neutral or ground lug kit installed.
- Suitable for use as a manually operated switch per 2002 NEC Article 702.
- Fusible and non-fusible.
- UL listed File No. E5239.
- For factory modifications refer to Pages 8-6 through 8-9.



DT323FRK

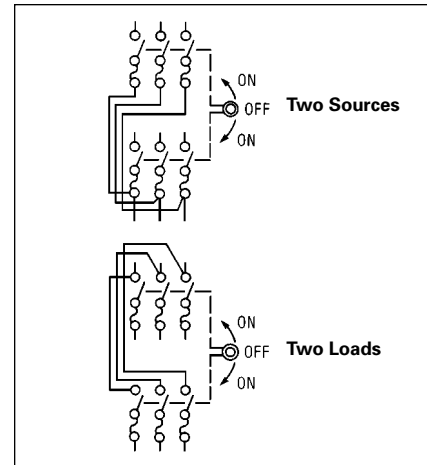


Figure 8-7. Typical Fusible Double Throw Schematic Diagram

Table 8-44. Fusible

Ampere Rating Main and Standby	Fuse Class Provision	Maximum Horsepower Ratings with Time Delay Fuses							NEMA 1 Enclosure Indoor		NEMA 3R Enclosure Rainproof	
		1-Phase AC			3-Phase AC			DC 250V	Catalog Number	Price U.S. \$	Catalog Number	Price U.S. \$
		240V	480V	600V	240V	480V	600V					
2-Pole — 240V AC — 250V DC												
200	H	15	—	—	—	—	—	40	DT224FGK	2,895.	DT224FRK	4,020.
3-Pole — 240V AC — 250V DC												
30	H	3	—	—	7-1/2	—	—	5	DT321FGK	840.	DT321FRK	1,100.
60	H	10	—	—	15	—	—	10	DT322FGK	1,525.	DT322FRK	2,010.
100	H	15	—	—	30	—	—	20	DT323FGK	2,480.	DT323FRK	2,865.
200	H	15	—	—	60	—	—	40	DT324FGK	3,755.	DT324FRK	4,885.
400	H	—	—	—	125	—	—	50	DT325FGK	9,090.	DT325FRK	10,280.
600 ①	T	—	—	—	50	—	—	50	DT326FGK	9,570.	DT326FRK	11,370.

① Only available for use with fast acting fuses. Standard hp rating is shown.

Table 8-45. Non-Fusible

Ampere Rating Main and Standby	Maximum Horsepower Ratings	Maximum Horsepower Ratings with Time Delay Fuses							NEMA 1 Enclosure Indoor		NEMA 3R Enclosure Rainproof	
		1-Phase AC			3-Phase AC			DC 250V	Catalog Number	Price U.S. \$	Catalog Number	Price U.S. \$
		240V	480V	600V	240V	480V	600V					
Non-Fusible 2-Pole — 240V AC — 250V DC												
30	3	—	—	—	—	—	—	5	DT221UGK	458.	④	—
60	10	—	—	—	—	—	—	10	DT222UGK	735.	④	—
100	20	—	—	—	—	—	—	20	DT223UGK	1,050.	④	—
200	15	—	—	—	—	—	—	40	DT224UGK	1,390.	DT224URK	1,815.
400	—	—	—	—	—	—	—	50	DT225UGK	4,015.	DT225URK	6,170.
600	—	—	—	—	—	—	—	—	DT226UGK	6,770.	④	—
Non-Fusible 3-Pole — 240V AC — 250V DC												
30	3	—	—	10	—	—	—	5	DT321UGK	540.	④	—
60	10	—	—	20	—	—	—	10	DT322UGK	915.	④	—
100	20	—	—	40	—	—	—	20	DT323UGK	1,350.	DT323URK	1,455.
200	15	—	—	60	—	—	—	40	DT324UGK	1,995.	DT324URK	2,530.
400	—	—	—	125	—	—	—	50	DT325UGK	5,610.	④	—
600	—	—	—	125	—	—	—	50	DT326UGK	7,590.	④	—
800	—	—	—	125	—	—	—	50	DT327UGK ②③	11,550.	④	—
800	—	—	—	125	—	—	—	50	DT327UGK-N	12,450.	④	—

② **WARNING!** Switch is not approved for service entrance.

③ Field installable neutral kit is not available. If a neutral is required, order the catalog number shown in the table with "N" suffix.

④ Contact the Safety Switch Flex Center (1-888-329-9272) for availability of this product.

600V AC Heavy Duty, Fusible, Non-Fusible, Double Throw

Table 8-46. Fusible

Ampere Rating Main and Standby	Fuse Class Provision	Maximum Horsepower Ratings with Time Delay Fuses					NEMA 1 Enclosure Indoor		NEMA 3R Enclosure Rainproof		NEMA 12 Enclosure Industrial, Dust-tight		NEMA 4X Enclosure Corrosion Resistant, Stainless Steel	
		1-Phase AC		3-Phase AC		DC	Catalog Number	Price U.S. \$	Catalog Number	Price U.S. \$	Catalog Number	Price U.S. \$	Catalog Number	Price U.S. \$
		480V	600V	480V	600V	250V								

3-Pole — 600V AC — 250V DC

30	H	7-1/2	10	15	20	—	DT361FGK	1,585.	①	—	①	—	DT361FWK	3,465.
60	H	20	25	30	50	—	DT362FGK	1,670.	①	—	①	—	DT362FWK	9,150.
100	H	30	40	60	75	—	DT363FGK	2,950.	DT363FRK	3,530.	①	—	DT363FWK	10,360.
200	H	50	50	125	150	40	DT364FGK	4,390.	DT364FRK	5,700.	①	—	DT364FWK	12,760.
400	T	—	—	250	350	50	DT365FGK	9,250.	DT365FRK	10,460.	①	—	DT365FWK	20,730.

① Contact the Safety Switch Flex Center (1-888-329-9272) for availability of this product.

Table 8-47. Non-Fusible

Ampere Rating Main and Standby	Maximum Horsepower Ratings					NEMA 1 Enclosure Indoor		NEMA 3R Enclosure Rainproof		NEMA 12 Enclosure Industrial, Dust-tight		NEMA 4X Enclosure Corrosion Resistant, Stainless Steel	
	1-Phase AC		3-Phase AC		DC	Catalog Number	Price U.S. \$	Catalog Number	Price U.S. \$	Catalog Number	Price U.S. \$	Catalog Number	Price U.S. \$
	480V	600V	480V	600V	250V								

2-Pole — 600V AC — 250V DC

30	7-1/2	10	—	—	5	DT261UGK	555.	④	—	—	—	—	—
60	20	25	—	—	10	DT262UGK	790.	④	—	—	—	—	—
100	40	50	—	—	20	DT263UGK	1,180.	④	—	—	—	—	—
200	50	50	—	—	40	DT264UGK ③	1,625.	DT264URK ③	3,895.	—	—	—	—
400	—	—	—	—	50	DT265UGK	5,050.	DT265URK	8,760.	—	—	—	—
600	—	—	—	—	50	DT266UGK	7,490.	DT266URK	10,920.	—	—	—	—

3-Pole — 600V AC — 250V DC

30	7-1/2	10	30	30	5	DT361UGK	590.	DT361URK	1,085.	DT361UDK ⑤	1,165.	DT361UWK	2,275.
60	20	25	60	60	10	DT362UGK	895.	DT362URK	1,495.	DT362UDK ⑤	2,460.	DT362UWK	4,180.
100	40	50	75	100	20	DT363UGK	1,460.	DT363URK	2,530.	DT363UDK ⑤	2,605.	DT363UWK	6,340.
200	50	50	125	150	40	DT364UGK	2,140.	DT364URK	4,615.	DT364UDK ⑤	4,785.	DT364UWK	7,650.
400	—	—	250	350	50	DT365UGK	5,730.	DT365URK	9,240.	DT365UDK ⑤	9,480.	DT365UWK	16,640.
600	—	—	250	350	50	DT366UGK	8,390.	DT366URK	11,970.	④	—	—	—
800	—	—	250	350	50	DT367UGK ②⑦	12,930.	DT367URK ②⑦	14,280.	④	—	—	—
800	—	—	250	350	50	DT367UGK-N	13,830.	DT367URK-N	15,180.	④	—	—	—

4-Pole — 600V AC — 250V DC ②

30	20	25	20	30	5	④	—	DT461URK	2,685.	④	—	④	—
60	40	50	50	60	10	④	—	DT462URK	2,870.	④	—	④	—
100	50	50	75	100	20	④	—	DT463URK	4,130.	④	—	④	—
200	—	50	125	150	40	④	DT464UGK	3,710.	DT464URK	6,560.	④	—	④
400	—	—	250	350	50	④	DT465UGK	8,520.	DT465URK	11,530.	④	—	④
600	—	—	250	350	50	④	DT466UGK	12,300.	DT466URK	14,190.	④	—	④
800	—	—	250	350	50	④	DT467UGK	31,820.	DT467URK	41,320.	④	—	④

6-Pole — 600V AC — 250V DC ②

30	7-1/2	10	15	30	5	④	—	DT661URK	4,230.	④	—	④	—
60	20	25	50	60	10	④	—	DT662URK	5,360.	④	—	④	—
100	40	50	75	100	20	④	—	DT663URK	8,040.	④	—	④	—

② **WARNING!** Switch is not approved for service entrance.

③ Rated 600V DC, 50 hp in addition to ratings shown in table.

④ Contact the Safety Switch Flex Center (1-888-329-9272) for availability of this product.

⑤ NEMA 12 enclosures (30 – 200 amperes) can be field modified to meet NEMA 3R rainproof requirements when a factory provided drain hole is opened.

⑥ Also available in 240V AC catalog number DT325UDK.

⑦ **Field installable neutral kit is not available. If a neutral is required, order the catalog number shown in the table with "N" suffix.**

Product Selection

240V AC General Duty, Non-Fusible, Compact Design, Double Throw

Specifications

- 30 – 100 amperes.
- Suitable for service entrance use with neutral kit installed.
- Suitable for use as a manually operated switch per 2002 NEC Article 702.
- Non-fusible.
- UL listed File No. E5239.



DT223URH-N New Compact Design

Table 8-48. Non-Fusible

Ampere Rating Main and Standby	NEMA 3R Enclosure Rainproof	
	Catalog Number	Price U.S. \$
Non-Fusible 2-Pole — 240V AC		
30	DT221URH	477.
60	DT222URH	505.
100	DT223URH	530.
Non-Fusible 2-Pole, 3-Wire — 240V AC — Solid Neutral		
30	DT221URH-N	565.
60	DT222URH-N	590.
100	DT223URH-N	600.

240V AC General Duty, Non-Fusible, Double Throw

Specifications

- 30 – 400 amperes.
- Horsepower rated.
- Suitable for service entrance use with neutral kit installed.
- Suitable for use as a manually operated switch per 2002 NEC Article 702.
- Non-fusible.
- UL listed File No. E5239.
- Quick-make, quick-break operating mechanism.



DT223URK-NPS

Table 8-49. Non-Fusible

Ampere Rating Main and Standby	Maximum Horsepower Ratings with Time Delay Fuses							NEMA 3R Enclosure Rainproof	
	1-Phase AC			3-Phase AC			DC 250V	Catalog Number	Price U.S. \$
	240V	480V	600V	240V	480V	600V			
Non-Fusible 2-Pole — 240V AC — 250V DC									
30	3	—	—	—	—	—	5	DT221URKPS	560.
60	10	—	—	—	—	—	10	DT222URKPS	590.
100	20	—	—	—	—	—	20	DT223URKPS	620.
200	15	—	—	—	—	—	40	DT224URKPS	1,280.
400	—	—	—	—	—	—	50	DT225URKPS	3,120.
Non-Fusible 2-Pole, 3-Wire — 240V AC — 250V DC, Solid Neutral									
30	3	—	—	—	—	—	5	DT221URK-NPS	640.
60	10	—	—	—	—	—	10	DT222URK-NPS	670.
100	20	—	—	—	—	—	20	DT223URK-NPS	700.
200	15	—	—	—	—	—	40	DT224URK-NPS	1,360.
400	—	—	—	—	—	—	50	DT225URK-NPS	3,200.

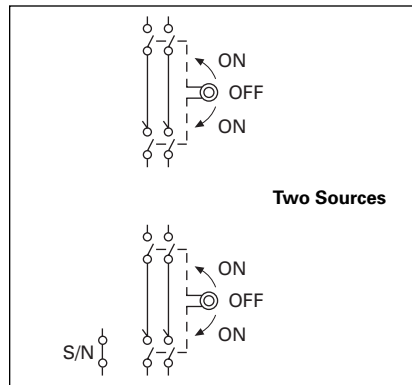


Figure 8-8. Typical General Duty Double Throw Schematic Diagram (with factory installed neutral)

January 2003
Vol. 1, Ref. No. [0265]

Product Selection

600V AC Heavy Duty, Fusible, Non-Fusible, Six-Pole, Single Throw

Specifications

- 600V AC, 250V DC maximum.
- 30 – 800 amperes.
- Fusible or non-fusible.
- UL listed File No. E5239.
- For factory modifications refer to Pages 8-6 through 8-9.



DH661FDK

Table 8-50. Fusible

System	Ampere Rating	Maximum Horsepower Ratings, 3-Phase AC (Higher Rating with Time Delay Fuses)			NEMA 12 Enclosure Industrial, Dust-tight		NEMA 4X Enclosure Corrosion Resistant, Stainless Steel	
		240V	480V	600V	Catalog Number	Price U.S. \$	Catalog Number	Price U.S. \$

6-Pole — 600V AC with Fuse Clips — 250V DC

Ampere Rating	3-Phase AC	480V	600V	7-1/2 - 20	Catalog Number	Price U.S. \$	NEMA 4X Enclosure	Price U.S. \$
30	3 - 7-1/2	5 - 15	7-1/2 - 20	DH661FDK ①	2,825.	②	—	
60	7-1/2 - 15	15 - 30	15 - 50	DH662FDK ①	3,360.	②	—	
100	15 - 30	25 - 60	30 - 75	DH663FDK ①	4,085.	②	—	
200	25 - 60	50 - 125	60 - 150	DH664FDK ①	7,550.	②	—	
400	—	—	—	②	—	②	—	
600	—	—	—	②	—	②	—	
800	—	—	—	②	—	②	—	

① NEMA 12 enclosures (30 – 200 amperes) can be field modified to meet NEMA 3R rainproof requirements when a factory provided drain hole is opened.
② Contact the Safety Switch Flex Center (1-888-329-9272) for availability of this product.

Note: 30A heavy duty switches with Type J fuse provisions are available from the factory only. See Table 8-15 on Page 8-7 for catalog numbers.

Table 8-51. Non-Fusible

System	Ampere Rating	Maximum Horsepower Ratings					NEMA 12 Enclosure Industrial, Dust-tight		NEMA 4X Enclosure Corrosion Resistant, Stainless Steel	
		3-Phase AC			DC		Catalog Number	Price U.S. \$	Catalog Number	Price U.S. \$
		240V	480V	600V	250V	600V ③				

6-Pole — 600V AC — 250V DC

Ampere Rating	3-Phase AC	480V	600V	250V	600V ③	Catalog Number	Price U.S. \$	NEMA 4X Enclosure	Price U.S. \$
30	10	20	30	5	15	DH661UDK ④	2,515.	DH661UWK	8,460.
60	20	50	60	10	25	DH662UDK ④	2,895.	DH662UWK	9,230.
100	40	75	100	20	25	DH663UDK ④	3,565.	DH663UWK	14,000.
200	60	125	150	40	50	DH664UDK ④	6,480.	DH664UWK	17,830.
400	—	—	—	—	—	⑤	—	⑤	—
600	—	—	—	—	—	⑤	—	⑤	—
800	—	—	—	—	—	⑤	—	⑤	—

③ 600V DC rating requires that the switch be wired per the wiring diagram on the device publication.
④ NEMA 12 enclosures (30 – 200 amperes) can be field modified to meet NEMA 3R rainproof requirements when a factory provided drain hole is opened.
⑤ Contact the Safety Switch Flex Center (1-888-329-9272) for availability of this product.

Product Selection

Enclosed Rotary

Specifications

- 16 – 125 amperes.
- 600V, 3-, 4-pole non-fusible device.
- Accepts auxiliary contacts.
- Meets NEC Article 430.
- Ground lug connection provided.
- UL listed under Section 508.
- UL listed File Number E165150.



Enclosed Rotary Switches

Table 8-52. Non-Fusible

Ampere Rating	Maximum Horsepower Ratings					NEMA 1 Enclosure Indoor		NEMA 12 ① Enclosure Dust-tight/Rainproof		NEMA 4X Enclosure Corrosion Resistant, Stainless Steel		NEMA 4X Enclosure Corrosion Resistant, Non-Metallic	
	3-Phase AC					Catalog Number	Price U.S. \$	Catalog Number	Price U.S. \$	Catalog Number	Price U.S. \$	Catalog Number	Price U.S. \$
	200V	208V	240V	480V	600V								
Non-Fusible 3-Pole, 600V AC													
16	—	—	2	7-1/2	7-1/2	DR3016UG	179.00	DR3016UD	252.00	DR3016UW	580.00	DR3016UX	389.00
25	—	—	5	10	15	DR3025UG	189.00	DR3025UD	263.00	DR3025UW	605.00	DR3025UX	410.00
30	—	—	7-1/2	15	25	DR3030UG	200.00	DR3030UD	273.00	DR3030UW	630.00	DR3030UX	426.00
40	10	10	10	20	30	DR3040UG	217.00	DR3040UD	302.00	DR3040UW	695.00	DR3040UX	580.00
60	—	—	15	30	40	DR3060UG	276.00	DR3060UD	359.00	DR3060UW	720.00	DR3060UX	545.00
80	15	15	20	40	50	DR3080UG	289.00	DR3080UD	376.00	DR3080UW	730.00	DR3080UX	605.00
100	—	—	25	50	60	DR3100UG	585.00	DR3100UD	675.00	DR3100UW	1,765.00	DR3100UX	1,430.00
125	—	—	25	50	60	DR3125UG	715.00	DR3125UD	800.00	DR3125UW	1,855.00	DR3125UX	1,530.00

Non-Fusible 4-Pole, 600V AC

16	—	—	2	7-1/2	7-1/2	DR4016UG	242.00	DR4016UD	336.00	DR4016UW	675.00	DR4016UX	520.00
25	—	—	5	10	15	DR4025UG	252.00	DR4025UD	347.00	DR4025UW	695.00	DR4025UX	550.00
30	—	—	7-1/2	15	25	DR4030UG	266.00	DR4030UD	368.00	DR4030UW	725.00	DR4030UX	570.00
40	—	—	10	20	30	DR4040UG	289.00	DR4040UD	401.00	DR4040UW	800.00	DR4040UX	625.00

① NEMA Type 12 enclosures (16 – 125 amperes) can be field modified to meet NEMA Type 3R rainproof requirements when a factory provided drain hole is opened.

Note: See Page 8-4 at the bottom for auxiliary contact kits. Contact the Safety Switch Flex Center (1-888-329-9272) for availability of higher ampere non-fusible ratings. Contact Cutler-Hammer for horsepower ratings not shown.

Table 8-53. Auxiliary Contacts for Rotary Switches

Ampere Rating	Description	Catalog Number	Price U.S. \$
16 – 25	1 NO/1 NC, for 3-, 4-Pole, Includes Holder and Contact	CMAC	35.75
30 – 40	1 NO, for 3-Pole, Includes Holder and Contact	CRAC3 ②	32.25
30 – 40	1 NO, for 4-Pole, Includes Holder and Contact	CRAC4 ②	32.25
60 – 125	1 NO, for 3-Pole, Includes Holder and Contact	CWAC3 ②	32.25
30 – 125	1 NO, for 3-, 4-Pole, Contact Only	CRAA ②	15.30
30 – 125	1 NO, for 3-, 4-Pole, Contact Only	CRAB ②	15.30

② The mechanism is reversed on these contacts.

January 2003
Vol. 1, Ref. No. [0267]

Product Selection

EnviroLine/Stainless Steel

240V AC Heavy Duty, Fusible and Non-Fusible, Single Throw
Stainless Steel Enclosure and Operating Mechanism

Specifications

- Stainless steel enclosure (304 grade).
- Stainless steel mechanism.
- 30 – 400 amperes.
- Horsepower rated.
- Suitable for service entrance use.
- UL listed File No. E5239.
- For factory modifications refer to Pages 8-6 through 8-9.



DH321NWKX

Table 8-54. Fusible 240 Volts

System	Ampere Rating	Fuse Class Provision	Maximum Horsepower Ratings with Time Delay Fuses						NEMA 4X Enclosure Corrosion Resistant, Stainless Steel	
			AC		DC 250V		Catalog Number	Price U.S. \$		
			Standard Fuse		Time Delay					
1-Phase	3-Phase	1-Phase	3-Phase							
3-Wire (2 Blades, 2 Fuses, S/N), 240V AC — 250V DC										
	30	H	1-1/2	3	3	7-1/2	5	DH221NWKX	1,930.	
	60	H	3	7-1/2	10	15	10	DH222NWKX	2,310.	
	100	H	7-1/2	15	15	30	20	DH223NWKX	4,490.	
	200	H	15	25	15	60	40	DH224NWKX	6,860.	
	400	H	—	50	—	125	50	DH225NWKX	13,160.	
3-Pole, 240V AC — 250V DC (Suitable for Service Entrance Use with a Neutral or Ground Lug Kit Installed)										
	30	H	1-1/2	3	—	7-1/2	—	DH321FWKX	1,975.	
	60	H	3	7-1/2	—	15	—	DH322FWKX	2,400.	
	100	H	—	—	—	—	—	①	—	
	200	H	15	25	—	60	40	DH324FWKX	6,850.	
	400	H	—	50	—	125	50	DH325FWKX	15,520.	
4-Wire (3 Blades, 3 Fuses, S/N), 240V AC — 250V DC										
	30	H	—	3	—	7-1/2	—	DH321NWKX	2,175.	
	60	H	—	7-1/2	—	15	—	DH322NWKX	2,670.	
	100	H	—	15	—	30	20	DH323NWKX	5,310.	
	200	H	—	25	—	60	—	DH324NWKX	7,470.	
	400	H	—	50	—	125	50	DH325NWKX	16,840.	

① Contact the Safety Switch Flex Center (1-888-329-9272) for availability of this product.

Note: 30A heavy duty switches with Type J fuse provisions are available from the factory only. See Table 8-15 on Page 8-7 for catalog numbers.

Product Selection

EnviroLine/Stainless Steel

600V AC Heavy Duty, Fusible and Non-Fusible, Single Throw
Stainless Steel Enclosure and Operating Mechanism

Specifications

- Stainless steel enclosure (304 grade).
- Stainless steel mechanism.
- 30 – 400 amperes.
- Horsepower rated.
- Suitable for service entrance use.
- UL listed File No. E5239.
- For factory modifications refer to Pages 8-6 through 8-9.



DH361NWKX

Table 8-55. Fusible 277/480 – 600 Volts

System	Ampere Rating	Fuse Class Provision	Maximum Horsepower Ratings with Time Delay Fuses						NEMA 4X Enclosure Corrosion Resistant, Stainless Steel	
			1-Phase AC		3-Phase AC		DC		Catalog Number	Price U.S. \$
			480V	600V	480V	600V	250V	600V		
2-Pole, 480V AC — 600V AC or DC (Suitable for Service Entrance Use with a Neutral or Ground Lug Kit Installed)										
	30	H	7-1/2	10	—	—	—	15	DH261FWKX	2,310.
	60	H	—	—	—	—	—	—	①	—
	100	H	—	—	—	—	—	—	①	—
	200	H	50	50	—	—	—	50	DH264FWKX	7,090.
	400	H	—	—	—	—	—	—	①	—
3-Pole, 480V AC — 600V AC, 250V DC (Suitable for Service Entrance Use with a Neutral or Ground Lug Kit Installed)										
	30	H	7-1/2	10	15	20	—	—	DH361FWKX	2,390.
	60	H	20	25	30	50	—	—	DH362FWKX	2,540.
	100	H	30	30	60	75	—	—	DH363FWKX	5,040.
	200	H	50	50	125	150	—	—	DH364FWKX	7,100.
	400	H	—	—	250	350	—	—	DH365FWKX	16,460.
4-Wire (3 Blades, 3 Fuses, S/N) 480V AC — 600V AC, 250V DC										
	30	H	7-1/2	10	20	30	—	—	DH361NWKX	2,415.
	60	H	20	25	50	60	—	—	DH362NWKX	2,650.
	100	H	40	50	75	100	—	—	DH363NWKX	5,480.
	200	H	50	50	125	150	—	—	DH364NWKX	7,590.
	400	H	—	—	250	350	—	—	DH365NWKX	17,170.

① Contact the Safety Switch Flex Center (1-888-329-9272) for availability of this product.

Note: 30A heavy duty switches with Type J fuse provisions are available from the factory only. See Table 8-15 on Page 8-7 for catalog numbers.

Table 8-56. Non-Fusible 277/480 – 600 Volts

System	Ampere Rating	Maximum Horsepower Ratings						NEMA 4X Enclosure Corrosion Resistant, Stainless Steel	
		1-Phase AC		3-Phase AC		DC		Catalog Number	Price U.S. \$
		480V	600V	480V	600V	250V	600V		
3-Pole, 480V AC — 600V AC, 250V DC (Suitable for Service Entrance Use with a Neutral or Ground Lug Kit Installed)									
	30	7-1/2	10	20	30	5	—	DH361UWKX	1,875.
	60	20	25	50	60	10	—	DH362UWKX	2,190.
	100	40	50	75	100	20	—	DH363UWKX	4,545.
	200	50	50	125	150	40	—	DH364UWKX	6,160.
	400	—	—	250	350	50	—	DH365UWKX	13,220.

EnviroLine/Upper Window

240V AC — 600V AC Heavy Duty, Fusible and Non-Fusible
Single Throw with Upper Viewing Window

Specifications

- 30 – 800 amperes.
- Blade visibility when door closed.
- 240 and 600V, fusible and non-fusible.
- Suitable for service entrance use.
- NEMA 12, 4 and 4X enclosures.
- UL listed and NEMA approved.
- For factory modifications refer to Pages 8-6 through 8-9.



DH363NDKW

Table 8-57. Fusible

System	Ampere Rating	Fuse Class Provision	Maximum Horsepower Ratings with Time Delay Fuses				NEMA 12 Enclosure Industrial, Dust-tight		NEMA 4 Enclosure Watertight, Painted Steel		NEMA 4X Enclosure Corrosion Resistant, Stainless Steel		
			AC		DC 250V		Catalog Number	Price U.S. \$	Catalog Number	Price U.S. \$	Catalog Number	Price U.S. \$	
			Standard Fuse		Time Delay								
			1-Phase	3-Phase	1-Phase	3-Phase							
4-Wire (3 Blades, 3 Fuses, S/N), 240V AC — 250V DC ①													
	30	H	—	3	—	7-1/2	—	DH321NDKW ②	620.	—	—	DH321NWKW	1,805.
	60	H	—	7-1/2	—	15	—	DH322NDKW ②	800.	—	—	DH322NWKW	2,180.
	100	H	—	15	—	30	20	DH323NDKW ②	1,250.	—	—	DH323NWKW	4,260.
	200	H	—	25	—	60	—	DH324NDKW ②	1,740.	—	—	DH324NWKW	5,955.
	400	H	—	50	—	125	50	DH325NDKW	4,040.	DH325NPKW	11,215.	DH325NWKW	13,695.
	600	H	—	75	—	200	—	DH326NDKW	7,225.	DH326NPKW	15,885.	DH326NWKW	18,365.
	800	L	—	100	—	250	—	DH327NDKW	13,460.	DH327NPKW	20,570.	DH327NWKW	21,790.

① For 2-pole applications, use outside poles of 3-pole switch.

② NEMA 12 enclosures (30 – 200 amperes) can be field modified to meet NEMA 3R rainproof requirements when a factory provided drain hole is opened.

Note: Contact the Safety Switch Flex Center (1-888-329-9272) for availability of NEMA 1 and 3R enclosures.

Table 8-58. Fusible

System	Ampere Rating	Fuse Class Provision	Maximum Horsepower Ratings with Time Delay Fuses				NEMA 12 Enclosure Industrial, Dust-tight		NEMA 4 Enclosure Watertight, Painted Steel		NEMA 4X Enclosure Corrosion Resistant, Stainless Steel		
			1-Phase AC		3-Phase AC		Catalog Number	Price U.S. \$	Catalog Number	Price U.S. \$	Catalog Number	Price U.S. \$	
			480V		600V								
			480V	600V	480V	600V							
4-Wire (3 Blades, 3 Fuses, S/N), 600V AC — 250V DC ③													
	30	H	7-1/2	10	15	20	—	DH361NDKW ④	860.	—	—	DH361NWKW	1,990.
	60	H	20	25	30	50	—	DH362NDKW ④	985.	—	—	DH362NWKW	2,165.
	100	H	30	40	60	75	—	DH363NDKW ④	1,450.	—	—	DH363NWKW	4,390.
	200	H	50	50	125	150	—	DH364NDKW ④	2,090.	—	—	DH364NWKW	6,065.
	400	H	—	—	250	350	—	DH365NDKW	4,935.	DH365NPKW	11,205.	DH365NWKW	13,955.
	600	H	—	—	400	500	—	DH366NDKW	9,145.	DH366NPKW	16,625.	DH366NWKW	19,825.
	800	L	—	—	500	500	—	DH367NDKW	14,305.	DH367NPKW	21,380.	DH367NWKW	23,280.

③ For 2-pole applications, use outside poles of 3-pole switch.

④ NEMA 12 enclosures (30 – 200 amperes) can be field modified to meet NEMA 3R rainproof requirements when a factory provided drain hole is opened.

Note: Contact the Safety Switch Flex Center (1-888-329-9272) for availability of NEMA 1 and 3R enclosures.

Note: 800A fusible window switches are not UL listed.

Note: 30A heavy duty switches with Type J fuse provisions are available from the factory only. See Table 8-15 on Page 8-7 for catalog numbers.

Product Selection

EnviroLine/Upper Window


240V AC — 600V AC Heavy Duty, Non-Fusible
Single Throw with Upper Viewing Window

Specifications

- 30 – 800 amperes.
- Blade visibility when door closed.
- 240 and 600V, fusible and non-fusible.
- Suitable for service entrance use.
- NEMA 12, 4 and 4X enclosures.
- UL listed and NEMA approved.
- For factory modifications refer to **Pages 8-6 through 8-9.**

8

Table 8-59. Non-Fusible

System	Ampere Rating	Maximum Horsepower Ratings						NEMA 12 Enclosure Industrial, Dust-tight		NEMA 4 Enclosure Watertight, Painted Steel		NEMA 4X Enclosure Corrosion Resistant, Stainless Steel	
		1-Phase AC		3-Phase AC		DC		Catalog Number	Price U.S. \$	Catalog Number	Price U.S. \$	Catalog Number	Price U.S. \$
		480V	600V	480V	600V	250V	600V						
3-Pole — 600V AC, 250V DC ① (Suitable for Service Entrance Use with a Neutral or Ground Lug Kit Installed)													
	30	7-1/2	10	20	30	5	—	DH361UDKW ②	545.	—	—	DH361UWKW	1,555.
	60	20	25	50	60	10	—	DH362UDKW ②	770.	—	—	DH362UWKW	1,835.
	100	40	50	75	100	20	—	DH363UDKW ②	1,070.	—	—	DH363UWKW	3,655.
	200	50	50	125	150	40	—	DH364UDKW ②	1,250.	—	—	DH364UWKW	4,940.
	400	—	—	250	350	50	—	DH365UDKW	3,315.	DH365UPKW	9,815.	DH365UWKW	10,845.
	600	—	—	400	500	—	—	DH366UDKW	6,465.	DH366UPKW	13,530.	DH366UWKW	16,565.
	800	—	—	500	500	—	—	DH367UDKW	10,785.	DH367UPKW	18,835.	DH367UWKW	21,775.

① For 2-pole applications, use outside poles of 3-pole switch.

② NEMA 12 enclosures (30 – 200 amperes) can be field modified to meet NEMA 3R rainproof requirements when a factory provided drain hole is opened.

Note: Contact the Safety Switch Flex Center (1-888-329-9272) for availability of NEMA 1 and 3R enclosures.

EnviroLine/Lower Window

240V AC — 600V AC Heavy Duty, Fusible,
Single Throw with Lower Viewing Window

Specifications

- 30 – 600 amperes.
- Lower viewing window over fuses to allow visual verification of blown fuse indicators for **Littlefuse, Inc.** fuses.
- 240 and 600V, fusible.
- Suitable for service entrance use.
- NEMA 12, 4 and 4X enclosures.
- UL listed and NEMA approved.
- For factory modifications refer to **Pages 8-6 through 8-9.**



DH323NDKLV

Table 8-60. Fusible

System	Ampere Rating	Fuse Class Provision	Maximum Horsepower Ratings with Time Delay Fuses				NEMA 12 Enclosure Industrial, Dust-tight		NEMA 4 Enclosure Watertight, Painted Steel		NEMA 4X Enclosure Corrosion Resistant, Stainless Steel		
			AC		DC 250V	Catalog Number	Price U.S. \$	Catalog Number	Price U.S. \$	Catalog Number	Price U.S. \$		
			Standard Fuse	Time Delay									
			1-Phase	3-Phase	1-Phase	3-Phase							
4-Wire (3 Blades, 3 Fuses, S/N), 240V AC — 250V DC ①													
	30	H	—	3	—	7-1/2	—	DH321NDKLV ②	620.	—	—	DH321NWKLV	1,805.
	60	H	—	7-1/2	—	15	—	DH322NDKLV ②	800.	—	—	DH322NWKLV	2,180.
	100	H	—	15	—	30	20	DH323NDKLV ②	1,250.	—	—	DH323NWKLV	4,260.
	200	H	—	25	—	60	—	DH324NDKLV ②	1,740.	—	—	DH324NWKLV	5,955.
	400	H	—	50	—	125	50	DH325NDKLV	4,040.	DH325NPKLV	11,215.	DH325NWKLV	13,695.
	600	H	—	75	—	200	—	DH326NDKLV	7,225.	DH326NPKLV	15,885.	DH326NWKLV	18,365.

① For 2-pole applications, use outside poles of 3-pole switch.

② NEMA 12 enclosures (30 – 200 amperes) can be field modified to meet NEMA 3R rainproof requirements when a factory provided drain hole is opened.

Note: Contact the Safety Switch Flex Center (1-888-329-9272) for availability of NEMA 1 and 3R enclosures.

Table 8-61. Fusible

System	Ampere Rating	Fuse Class Provision	Maximum Horsepower Ratings with Time Delay Fuses				NEMA 12 Enclosure Industrial, Dust-tight		NEMA 4 Enclosure Watertight, Painted Steel		NEMA 4X Enclosure Corrosion Resistant, Stainless Steel		
			1-Phase AC		3-Phase AC		DC 250V	Catalog Number	Price U.S. \$	Catalog Number	Price U.S. \$	Catalog Number	Price U.S. \$
			480V	600V	480V	600V							
4-Wire (3 Blades, 3 Fuses, S/N), 600V AC — 250V DC ③													
	30	H	7-1/2	10	15	20	—	DH361NDKLV ④	860.	—	—	DH361NWKLV	1,990.
	60	H	20	25	30	50	—	DH362NDKLV ④	985.	—	—	DH362NWKLV	2,165.
	100	H	30	40	60	75	—	DH363NDKLV ④	1,450.	—	—	DH363NWKLV	4,390.
	200	H	50	50	125	150	—	DH364NDKLV ④	2,090.	—	—	DH364NWKLV	6,065.
	400	H	—	—	250	350	—	DH365NDKLV	4,935.	DH365NPKLV	11,205.	DH365NWKLV	13,955.
	600	H	—	—	400	500	—	DH366NDKLV	9,145.	DH366NPKLV	16,625.	DH366NWKLV	19,825.

③ For 2-pole applications, use outside poles of 3-pole switch.

④ NEMA 12 enclosures (30 – 200 amperes) can be field modified to meet NEMA 3R rainproof requirements when a factory provided drain hole is opened.

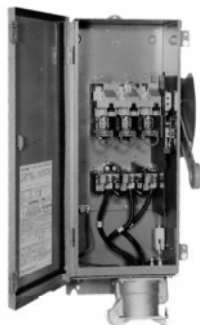
Note: Contact the Safety Switch Flex Center (1-888-329-9272) for availability of NEMA 1 and 3R enclosures.

EnviroLine/Receptacle

**600V AC Heavy Duty, Single
Throw with Receptacle, Fusible,
Non-Fusible**

Specifications

- 30 – 100 amperes.
- Power plugs not supplied with the receptacle.
- UL listed File No. E5239.
- For factory modifications refer to Pages 8-6 through 8-9.



DH361FWK2WR

Safety Switch with Receptacle K-Series, 3-Pole, 600V Fuse Clips

Table 8-62. Fusible

Ampere Rating		Power Plug	NEMA 12 Enclosure		NEMA 4X Enclosure	
Switch	Receptacle		Catalog Number	Price U.S. \$	Catalog Number	Price U.S. \$
Crouse-Hinds ARKTITE® Receptacle						
30	30	Accepts Crouse-Hinds APJ3485	DH361FDK2WRK	1,820.	—	—
30	30	APJ3485	DH361FDK2WR ①	1,740.	DH361FWK2WR ②	5,190.
60	60	APJ6485	DH362FDK2WR	1,775.	DH362FWK2WR ②	5,300.
100	100	APJ10487	DH363FDK2WR	2,670.	DH363FWK2WR ②	8,740.
M-R-S (Russellstoll) MAX-GARD® Receptacle						
30	30	Accepts Russellstoll DS3404MP	DH361FD3WRK	1,740.	DH361FW3WRK	5,190.
60	60	DS6404MP	DH362FD3WRK	1,775.	DH362FW3WRK	5,300.
100	100	DS1404MP	DH363FD3WRK	2,670.	DH363FW3WRK	7,950.
Appleton POWERTITE® Receptacle						
30	30	Accepts Appleton ACP3034BC	DH361FD5WRK	1,740.	DH361FW5WRK	5,190.
60	60	ACP6034BC	DH362FD5WRK	1,775.	DH362FW5WRK	5,300.
100	100	ACP1034CD	DH363FD5WRK	2,670.	DH363FW5WRK	7,950.

① Non-interlocked switch, this Crouse-Hinds receptacle is rated to accept power plug while switch is energized.

② NEMA 12 rating — enclosure is stainless steel.

Note: Contact the Safety Switch Flex Center (1-888-329-9272) for additional options including viewing windows.

Note: Power plugs are not available through Eaton's Cutler-Hammer.

Table 8-63. Non-Fusible

Ampere Rating		Power Plug	NEMA 12 Enclosure		NEMA 4X Enclosure	
Switch	Receptacle		Catalog Number	Price U.S. \$	Catalog Number	Price U.S. \$
Crouse-Hinds ARKTITE® Receptacle						
60	60	Accepts Crouse-Hinds APJ6485	DH362UDK2WR	1,670.	DH362UWK2WR ③	4,990.
Appleton POWERTITE® Receptacle						
30	30	Accepts Appleton ACP3034BC	DH361UD5WRK	1,645.	—	—
60	60	ACP6034BC	DH362UD5WRK	1,670.	DH362UW5WRK	4,990.

③ NEMA 12 rating — enclosure is stainless steel.

Note: Contact the Safety Switch Flex Center (1-888-329-9272) for additional options including viewing windows.

Note: Power plugs are not available through Eaton's Cutler-Hammer.

EnviroLine/Non-Metallic

**240V AC and 600V AC Heavy Duty
Non-Metallic Fusible, Non-Fusible**



DH361FCK

Specifications

- 30 – 200 amperes.
- Krydon™ high impact strength fiberglass reinforced polyester material.
- Horsepower rated.
- Suitable for service entrance use.
- Fusible and non-fusible.
- UL 98.
- UL listed File No. E5239.
- For factory modifications refer to Pages 8-6 through 8-9.

Table 8-64. Fusible

System	Ampere Rating	Fuse Class Provision	Maximum Horsepower Ratings						NEMA 4X Enclosure Corrosion Resistant, Non-Metallic	
			AC				DC 250V		Catalog Number	Price U.S. \$
			Standard Fuse		Time Delay		1-Phase	3-Phase		
1-Phase	3-Phase	1-Phase	3-Phase	1-Phase	3-Phase					
3-Pole, 240V AC — 250V DC (Suitable for Service Entrance Use with a Neutral or Ground Lug Kit Installed)										
	30	H	1-1/2	3	—	7-1/2	—	DH321FCK	2,920.	
	60	H	3	7-1/2	—	15	—	DH322FCK	3,190.	
	100	H	7-1/2	15	—	30	20	DH323FCK	6,050.	
	200	H	15	25	—	60	40	DH324FCK	8,550.	
4-Wire (3 Blades, 3 Fuses, S/N), 240V AC — 250V DC										
	30	H	—	3	—	7-1/2	—	DH321NCK	2,985.	
	60	H	—	7-1/2	—	15	—	DH322NCK	3,245.	
	100	H	—	15	—	30	20	DH323NCK	6,190.	
	200	H	—	25	—	60	—	DH324NCK	8,700.	

Table 8-65. Fusible

System	Ampere Rating	Fuse Class Provision	Maximum Horsepower Ratings with Time Delay Fuses						NEMA 4X Enclosure Corrosion Resistant, Non-Metallic	
			1-Phase AC		3-Phase AC		DC		Catalog Number	Price U.S. \$
			480V	600V	480V	600V	250V	600V		
3-Pole, 480V AC — 600V AC, 250V DC (Suitable for Service Entrance Use with a Neutral or Ground Lug Kit Installed)										
	30	H	7-1/2	10	15	20	—	—	DH361FCK	3,070.
	60	H	20	25	30	50	—	—	DH362FCK	3,440.
	100	H	30	30	60	75	—	—	DH363FCK	6,360.
	200	H	50	50	125	150	—	—	DH364FCK	8,860.
4-Wire (3 Blades, 3 Fuses, S/N), 480V AC — 600V AC, 250V DC										
	30	H	7-1/2	10	15	20	—	—	DH361NCK	3,130.
	60	H	20	25	30	50	—	—	DH362NCK	3,500.
	100	H	30	30	60	75	—	—	DH363NCK	6,480.
	200	H	50	50	125	150	—	—	DH364NCK	9,020.

Note: 30A heavy duty switches with Type J fuse provisions are available from the factory only. See Table 8-15 on Page 8-7 for catalog numbers.

EnviroLine/Non-Metallic


240V AC and 600V AC Heavy Duty Non-Metallic, Non-Fusible

Specifications

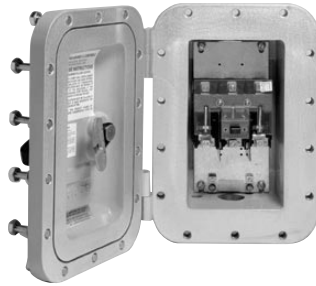
- 30 – 200 amperes.
- Krydon™ high impact strength fiberglass reinforced polyester material.
- Horsepower rated.
- Suitable for service entrance use.
- Fusible and non-fusible.
- UL 98.
- UL listed File No. E5239.
- For factory modifications refer to **Pages 8-6 through 8-9.**

8

Table 8-66. Non-Fusible 277/480 – 600 Volts

System	Ampere Rating	Maximum Horsepower Ratings with Time Delay Fuses								NEMA 4X Enclosure Corrosion Resistant, Non-Metallic	
		1-Phase AC			3-Phase AC			DC		Catalog Number	Price U.S. \$
		240V	480V	600V	240V	480V	600V	250V	600V		
3-Pole, 480V AC — 600V AC, 250V DC (Suitable for Service Entrance Use with a Neutral or Ground Lug Kit Installed)											
	30	3	7-1/2	10	10	20	30	5	—	DH361UCK	2,940.
	60	10	20	25	20	50	60	10	—	DH362UCK	3,245.
	100	20	40	50	40	75	100	20	—	DH363UCK	6,180.
	200	15	50	50	60	125	150	40	—	DH364UCK	8,630.

NEMA 7/9 — Hazardous Location Disconnect Switch



DS361UX

The cast aluminum enclosure is ideally suited for harsh industrial applications including petrochemical facilities, mining operations, pharmaceutical plants and wastewater treatment facilities. The Cutler-Hammer Type DS switch by Eaton Corporation is used as the switching device. Ratings are 30 – 200 amperes, 600V AC, fusible and non-fusible.

Table 8-67. Compliances

UL Classified — Standard 886 File No. E84577	CSA Certified — Standard C22.2 File No. LR 42131-6
Class I, Division 1 & 2, Groups B, C and D	Class I, Division 1 & 2, Groups B, C and D
Class II, Division 1 & 2, Groups E, F and G	Class II, Division 1 & 2, Groups E, F and G
Class III, Division 1 & 2	Class III, Division 1 & 2
NEMA 7/9	NEMA 7/9
Zone 1, IIB + H ₂	Zone 1, IIB + H ₂

Table 8-68. NEMA 7/9 Enclosure Sizes

Ampere Rating	Maximum Horsepower Ratings			Type	Fuse Class Provision	Poles	Voltage	Standard Conduit Size in Inches (mm)	Enclosure Number	Catalog Number	Price U.S. \$
	3-Phase AC		DC								
	480V	600V	250V								
30	15	20	5	Fusible	J	3	600V DC 125/250V DC	1.50 (38.1) 2.00 (50.8) 2.50 (63.5) 3.00 (76.2)	1 2 3 4	DS361FX DS362FX DS363FX DS364FX	2,770. 3,040. 3,805. 6,770.
60	30	50	10		J						
100	60	75	20		J						
200	125	150	40		J						
30	15	20	5	Non-Fusible	—	3	600V DC 125/250V DC	1.50 (38.1) 1.50 (38.1) 2.00 (50.8) 3.00 (76.2)	1 1 2 4	DS361UX DS362UX DS363UX DS364UX	1,660. 2,010. 2,495. 5,390.
60	30	50	10		—						
100	60	75	20		—						
200	125	150	40		—						

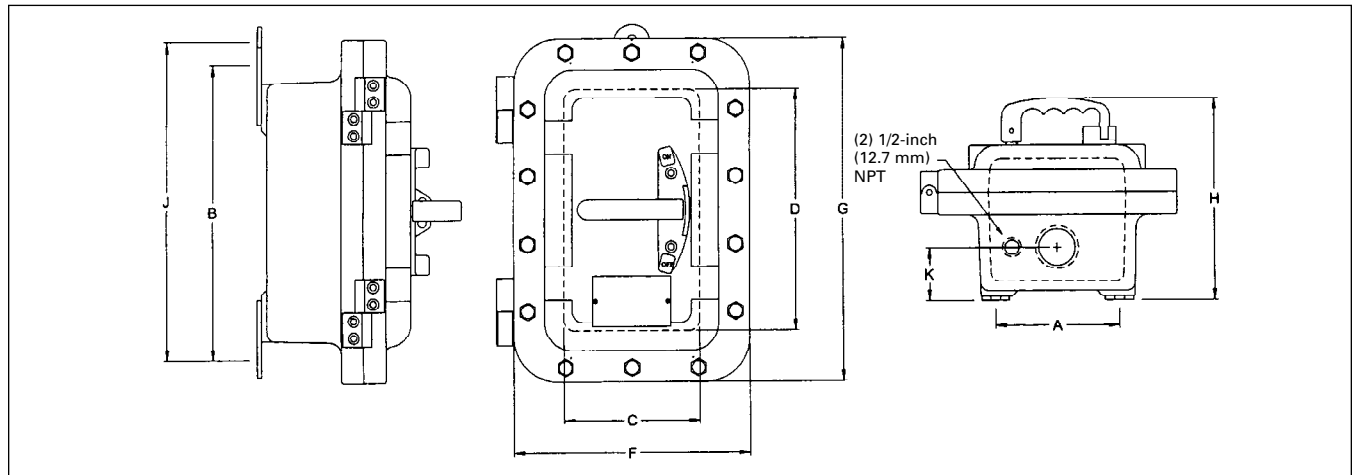


Figure 8-9. NEMA 7/9 — 30 – 200 Amperes

① Dual 3 and 4 point mounting available as standard on enclosures 1 and 2.

Table 8-69. NEMA 7/9 — Dimensions in Inches (mm)

Enclosure Number	Mounting Dimensions			Inside Dimensions		Outside Dimensions			Number of Outlets	K Dimensions	Approximate Weight Lbs. (kg)
	A	B	J	C	D	F	G	H			
1	5.50 (139.7)	13.13 (333.5)	14.13 (358.9)	5.94 (150.9)	10.75 (273.1)	10.63 (270.0)	15.25 (387.4)	8.84 (224.5)	2	2.00 (50.8)	38 (17)
2	6.00 (152.4)	18.00 (457.2)	19.00 (482.6)	6.50 (165.1)	16.00 (406.4)	11.00 (279.4)	20.50 (520.7)	8.97 (227.8)	2	2.31 (58.6)	57 (26)
3	10.25 (260.4)	22.63 (574.8)		11.75 (298.4)	20.00 (508.0)	16.38 (416.1)	25.13 (638.3)	9.59 (243.6)	2	3.50 (88.9)	104 (47)
4	8.50 (215.9)	27.13 (689.1)		10.75 (273.1)	24.13 (612.9)	16.00 (406.4)	29.50 (749.3)	12.28 (311.9)	2	4.00 (101.6)	145 (66)

Note: Accessories and modifications shown on Page 8-4 through 8-9 are NOT applicable to NEMA 7/9 disconnect switches.

Discount Symbol 22-CD

Cable Connector Receptacle Switches

240V, 600V AC Heavy Duty, Single Throw with Cam-Lok™ Receptacles, Fusible, Non-Fusible

Specifications

- 30 – 600 amperes.
- UL listed File No. E5239.
- UL listed short circuit rating of 10,000 rms symmetrical amperes.
- NEMA 1 or 3R enclosures.
- Provision for 200% neutral.
- Aluminum cam connector mounting plate.
- Crouse Hinds "J" Power Series E1015, E1016 or E1017 cam connectors as applicable. Connector plugs are not provided.

Ordering Information

Step One: Cable connector receptacle switches are available on NEMA 1 or NEMA 3R enclosures from 30 – 600A. Cam-Lok™ receptacles can be mounted on the lower endwall (NEMA 1 or NEMA 3R), upper endwall (NEMA 1 only), and/or the sidewall (NEMA 1 only). Select the standard safety switch from the catalog and add Suffix LC for lower endwall mounting, UC for upper endwall mounting, or SC for sidewall mounting. Cam connectors are provided for phases A, B, C, neutral, and ground as applicable.

Step Two: Contact the Safety Switch Flex Center for complete pricing and delivery information. The Flex Center will provide a list price and product description. An authorized negotiation (TSP) number will be provided to track your order.

Safety Switch Flex Center
Phone: **1-888-329-9272**
Fax: **1-423-478-0270**

Step Three: Enter the order on VISTA-LINE by description (with catalog number as applicable) and reference the authorized negotiation (TSP) number.

Vista suffix will be "ETS." Product code will be "BE90."

For order entry assistance, contact CSC at:
Phone: **1-800-356-1243**
Fax: **1-800-752-8602**



DH324NGK-LC

Mill Duty Rated, Heavy Duty, Fusible, Non-Fusible, Single Throw

240V, 600V AC Heavy Duty, Fusible,
Non-Fusible, Single Throw

Specifications

- 30 – 600 amperes.
- Horsepower rated.
- Suitable for service entrance use.
- UL listed File No. E5239.
- Factory installed ground lug.
- Copper terminal lugs.
- Fuse pullers through 200 amperes.
- For factory modifications refer to Pages 8-6 through 8-9.



DH361FWK-GCL

Table 8-70. Fusible

System	Ampere Rating	Fuse Class Provision	Maximum Horsepower Ratings with Time Delay Fuses						NEMA 12 Enclosure Industrial, Dust-tight		NEMA 4X Enclosure Corrosion Resistant, Stainless Steel	
			AC		DC 250V	DC 600V	Catalog Number	Price U.S. \$	Catalog Number	Price U.S. \$		
			Standard Fuse								Time Delay	
			1-Phase	3-Phase	1-Phase	3-Phase						

3-Pole — 240V AC, 250V DC (Suitable for Service Entrance Use with a Neutral or Ground Lug Kit Installed)

	30	H	1-1/2	3	—	7-1/2	—	—	DH321FDK-GCL ①	645.	DH321FWK-GCL	1,770.
	60	H	3	7-1/2	—	15	—	—	DH322FDK-GCL ①	935.	DH322FWK-GCL	2,165.
	100	H	7-1/2	15	—	30	20	—	DH323FDK-GCL ①	1,345. ③	—	—
	200	H	15	25	—	60	40	—	DH324FDK-GCL ①	1,995.	DH324FWK-GCL	6,040.
	400	H	—	50	—	125	50	—	DH325FDK-GCL	4,330.	DH325FWK-GCL	13,365.
	600	H	—	75	—	200	—	—	DH326FDK-GCL	8,035.	DH326FWK-GCL	19,045.

2-Pole — 480V AC — 600V AC or DC (Suitable for Service Entrance Use with a Neutral or Ground Lug Kit Installed)

	30	H	7-1/2	10	—	—	15	DH261FDK-GCL ①	865.	DH261FWK-GCL	2,000.
	60	H	20	25	—	—	25	DH262FDK-GCL ①	900. ② or ③	—	—
	100	H	30	40	—	—	25	DH263FDK-GCL ①	1,325. ② or ③	—	—
	200	H	50	50	—	—	50	DH264FDK-GCL ①	2,020.	DH264FWK-GCL	5,990.

3-Pole — 480V AC — 600V AC, 250V DC (Suitable for Service Entrance Use with a Neutral or Ground Lug Kit Installed)

	30	H	7-1/2	10	15	20	—	—	DH361FDK-GCL ①	930.	DH361FWK-GCL	2,100.
	60	H	20	25	30	50	—	—	DH362FDK-GCL ①	975.	DH362FWK-GCL	2,245.
	100	H	30	40	60	75	—	—	DH363FDK-GCL ①	1,620.	DH363FWK-GCL	4,335.
	200	H	50	50	125	150	—	—	DH364FDK-GCL ①	2,325.	DH364FWK-GCL	6,140.
	400	H	—	—	250	350	—	—	DH365FDK-GCL	5,265.	DH365FWK-GCL	14,095.
	600	H	—	—	400	500	—	—	DH366FDK-GCL	9,995.	DH366FWK-GCL	20,375.

① NEMA 12 enclosures (30 – 200 amperes) can be field modified to meet NEMA 3R rainproof requirements when a factory provided drain hole is opened.

② Use 3-pole catalog numbers below.

③ Contact the Safety Switch Flex Center (1-888-329-9272) for availability of this product.

Table 8-71. Non-Fusible 277/480 – 600 Volts

System	Ampere Rating	Fuse Class Provision	Maximum Horsepower Ratings						NEMA 12 Enclosure Industrial, Dust-tight		NEMA 4X Enclosure Corrosion Resistant, Stainless Steel	
			AC		DC 250V	DC 600V	Catalog Number	Price U.S. \$	Catalog Number	Price U.S. \$		
			Standard Fuse								Time Delay	
			1-Phase	3-Phase	1-Phase	3-Phase						

3-Pole — 480V AC — 600V AC, 250V DC ④ (Suitable for Service Entrance use with a Neutral or Ground Lug Kit Installed)

	30	—	7-1/2	10	20	30	5	—	DH361UDK-GCL ⑤	680.	DH361UWK-GCL	1,690.
	60	—	20	25	50	60	10	—	DH362UDK-GCL ⑤	935.	DH362UWK-GCL	2,000.
	100	—	40	50	75	100	20	—	DH363UDK-GCL ⑤	1,355.	DH363UWK-GCL	3,940.
	200	—	50	50	125	150	40	—	DH364UDK-GCL ⑤	1,715.	DH364UWK-GCL	5,405.
	400	—	—	—	250	350	50	—	DH365UDK-GCL	4,015.	DH365UWK-GCL	11,545.
	600	—	—	—	400	500	—	—	DH366UDK-GCL	7,615.	DH366UWK-GCL	17,715.

④ For 2-pole applications, use outside poles of 3-pole switch.

⑤ NEMA 12 enclosures (30 – 200 amperes) can be field modified to meet NEMA 3R rainproof requirements when a factory provided drain hole is opened.

Product Selection

316 Grade Stainless Steel Enclosures

Ordering Information

Step One: Select the standard NEMA 4X stainless steel safety switch from the catalog and **add Suffix 316** to the catalog number.

Step Two: Add 40% to the current list price (from Vista or the current *Price and Availability Digest*) of the basic NEMA 4X switch catalog number that needs to be modified. If no list price exists, the Flex Center will provide one.

Step Three: Contact the Safety Switch Flex Center for complete pricing and delivery information. An authorized negotiation (TSP) number will be provided to track your order.

Safety Switch Flex Center
Phone: **1-888-329-9272**
Fax: **1-423-478-0270**

Step Four: Enter the order on VISTA-LINE™ by description (with catalog number if it applies) and reference the authorized negotiation (TSP) number.

Vista suffix will be "ETS." Product code will be "BE90."

For order entry assistance, contact CSC at:
Phone: **1-800-356-1243**
Fax: **1-800-752-8602**

1200A NEMA 12 or 4X Enclosures

Ordering Information

Select the 1200A NEMA 12 dust-tight or NEMA 4X stainless steel (304 grade) safety switch from **Table 8-72**. Follow *Steps Three and Four* above. **1200A NEMA 12 and 4X switches are not UL listed.**

Table 8-72. Ordering Information

Voltage	Switch Type 3-Pole	Catalog Number	Price U.S. \$
240	NEMA 12	DH328FDK DH328NDK	14,575. 15,385.
	NEMA 4X	DH328FWK DH328NWK	26,210. 26,935.
600	NEMA 12	DH368FDK DH368NDK DH368UDK	14,935. 15,720. 13,190.
	NEMA 4X	DH368FWK DH368NWK DH368UWK	26,925. 27,720. 26,200.

Left-Handed Safety Switch



Left-Handed Safety Switch

Ordering Information

Step One: Left-handed safety switches are available from 30 – 200A for applications requiring an operating handle on the left side of the enclosure. Select the standard safety switch from the catalog and **add Suffix LH** to the catalog number.

Step Two: Contact the Safety Switch Flex Center for complete pricing and delivery information. The Flex Center will provide a list price. An authorized negotiation (TSP) number will be provided to track your order

Safety Switch Flex Center
Phone: **1-888-329-9272**
Fax: **1-423-478-0270**

Step Three: Enter the order on VISTA-LINE by description (with catalog number as applicable) and reference the authorized negotiation (TSP) number.

Vista suffix will be "ETS." Product code will be "BE90."

For order entry assistance, contact CSC at:
Phone: **1-800-356-1243**
Fax: **1-800-752-8602**

Note: Left-handed safety switches are supplied with a C361H1 handle.

200% Neutral Safety Switches

Ordering Information

Step One: Safety switches with 200% neutrals are available from 30 – 600A. Select the standard safety switch from the catalog and **add Suffix 8** to the catalog number.

Step Two: Contact the Safety Switch Flex Center for complete pricing and delivery information. The Flex Center will provide a list price and specifications for the 200% neutral. An authorized negotiation (TSP) number will be provided to track your order.

Safety Switch Flex Center
Phone: **1-888-329-9272**
Fax: **1-423-478-0270**

Step Three: Enter the order on VISTA-LINE by description (with catalog number as applicable) and reference the authorized negotiation (TSP) number.

Vista suffix will be "ETS." Product code will be "BE90."

For order entry assistance, contact CSC at:
Phone: **1-800-356-1243**
Fax: **1-800-752-8602**

January 2003

Vol. 1, Ref. No. [0279]

Cross-Reference

Cross-Reference

General Duty Safety Switches

Table 8-73. General Duty

Ampere Rating	Catalog Number			
	Cutler-Hammer Business	General Electric	Siemens	Square D

Plug Fuse, 1-Pole, 2-Wire, 120V AC, NEMA 1

30	DP111NGB	TPF130	LF111N	D211N
----	----------	--------	--------	-------

Plug Fuse, 2-Pole, 3-Wire, 240V AC, NEMA 1

30	DP221NGB	TPF230	LF211N	D211N
----	----------	--------	--------	-------

Fusible, 2-Pole, 3-Wire, 240V AC, NEMA 1

30	DG221NGB	TG3221	GF221N	D221N
60	DG222NGB	TG3222	GF222N	D222N
100	DG223NGB	TG3223	GF223N	D223N
200	DG224NGK	TG3224	GF224N	D224N
400	DG225NGK	TG3225	GF225N	D225N
600	DG226NGK	TG3226	GF226N	D226N

Fusible, 3-Pole, 3-Wire, 240V AC, NEMA 1

30	DG321NGB	TG4321	GF321N	D321N
60	DG322NGB	TG4322	GF322N	D322N
100	DG323NGB	TG4323	GF323N	D323N
200	DG324NGK	TG4324	GF324N	D324N
400	DG325FGK	TG3325	GF325N	D325N
600	DG326FGK	TG3326	GF326N	D326N

Fusible, 3-Pole, 4-Wire, 240V AC, NEMA 1

30	DG321NGB	TG4321	GF321N	D321N
60	DG322NGB	TG4322	GF322N	D322N
100	DG323NGB	TG4323	GF323N	D323N
200	DG324NGK	TG4324	GF324N	D324N
400	DG325NGK	TG4325	GF325N	D325N
600	DG326NGK	TG4326	GF326N	D326N

Non-Fusible, 2-Pole, 2-Wire, 240V AC, NEMA 1

30	DG221UGB	TGN3321	N/A	N/A
60	DG222UGB	TGN3322	N/A	QO260NATS
100	DG223UGB	TGN3323	N/A	QO2000NS
200	DG324UGK	TGN3324	N/A	DU324
400	DG325UGK	TGN3325	N/A	DU325
600	DG326UGK	TGN3326	N/A	DU326

Non-Fusible, 3-Pole, 3-Wire, 240V AC, NEMA 1

30	DG321UGB	TGN3321	GNF321	DU321
60	DG322UGB	TGN3322	GNF322	DU322
100	DG323UGB	TGN3323	GNF323	DU323
200	DG324UGK	TGN3324	GNF324	DU324
400	DG325UGK	TGN3325	GNF325	DU325
600	DG326UGK	TGN3326	GNF326	DU326

Note: Always verify the number of poles and wires required since catalog numbers may appear in multiple tables.

General Duty (Continued)

Ampere Rating	Catalog Number			
	Cutler-Hammer Business	General Electric	Siemens	Square D

Fusible, 2-Pole, 3-Wire, 240V AC, NEMA 3R

30	DG221NRB	TG3221R	GF221NR	D221NRB
60	DG222NRB	TG3222R	GF222NR	D222NRB
100	DG223NRB	TG3223R	GF223NR	D223NRB
200	DG224NRK	TG3224R	GF224NR	D224NRB
400	DG225NRK	TG3225R	GF225NR	D225NR
600	DG226NRK	TG3226R	GF226NR	D226NR

Fusible, 3-Pole, 3-Wire, 240V AC, NEMA 3R

30	DG321NRB	TG4321R	GF321NR	D321NRB
60	DG322NRB	TG4322R	GF322NR	D322NRB
100	DG323NRB	TG4323R	GF323NR	D323NRB
200	DG324NRK	TG4324R	GF324NR	D324NRB
400	DG325FRK	TG3325R	GF325NR	D325NR
600	DG326FRK	TG3326R	GF326NR	D326NR

Fusible, 3-Pole, 4-Wire, 240V AC, NEMA 3R

30	DG321NRB	TG4321R	GF321NR	D321NRB
60	DG322NRB	TG4322R	GF322NR	D322NRB
100	DG323NRB	TG4323R	GF323NR	D323NRB
200	DG324NRK	TG4324R	GF324NR	D324NRB
400	DG325NRK	TG3325R ①	GF325NR	D325NR
600	DG326NRK	TG3326R ①	GF326NR	D326NR

Non-Fusible, 2-Pole, 2-Wire, 240V AC, NEMA 3R

30	DG221URB	TGN3321R	GNF321R	DU221RB
60	DG222URB	TGN3322R	GNF322R	DU222RB
100	DG223URB	TGN3323R	GNF323R	QO2000NRB
200	DG324URK	TGN3324R	GNF324R	DU324RB

Non-Fusible, 3-Pole, 3-Wire, 240V AC, NEMA 3R

30	DG321URB	TGN3321R	GNF321R	DU321RB
60	DG322URB	TGN3322R	GNF322R	DU322RB
100	DG323URB	TGN3323R	GNF323R	DU323RB
200	DG324URK	TGN3324R	GNF324R	DU324RB
400	DG325URK	N/A	N/A	N/A
600	DG326URK	N/A	N/A	N/A

① Separate neutral kit required.

Note: Always verify the number of poles and wires required since catalog numbers may appear in multiple tables.

Cross-Reference

January 2003
Vol. 1, Ref. No. [0280]

Heavy Duty Safety Switches

Table 8-74. Heavy Duty

Ampere Rating	Catalog Number			
	Cutler-Hammer Business	General Electric	Siemens	Square D

Fusible, 2-Pole, 2-Wire, 240V AC, NEMA 1

30	DH221FGK	TH3221	N/A	H221N
60	DH222NGK	TH3222	N/A	H222N
100	DH223NGK	TH3223	N/A	H223N
200	DH224NGK	TH3224	N/A	H224N
400	DH225FGK	TH3225	N/A	H225
600	DH226FGK	TH3226	N/A	H226
800	DH227FGK	TC72267	N/A	H227
1200	DH328FGK	TC72268	N/A	H228

Fusible, 2-Pole, 3-Wire, 240V AC, NEMA 1

30	DH221NGK	TH3221	HF221N	H221N
60	DH222NGK	TH3222	HF222N	H222N
100	DH223NGK	TH3223	HF223N	H223N
200	DH224NGK	TH3224	HF224N	H224N
400	DH225NGK	TH3225	HF225N	H225N
600	DH226NGK	TH3226	HF226N	H226N
800	DH227NGK	TC72267 ①	HF227N	H227N
1200	DH328NGK	TC72268 ①	HF228N	H228N

Fusible, 3-Pole, 3-Wire, 240V AC, NEMA 1

30	DH321FGK	TH4321	N/A	H321N
60	DH322FGK	TH4322	N/A	H322N
100	DH323FGK	TH4323	N/A	H323N
200	DH324FGK	TH4324	N/A	H324N
400	DH325FGK	TH3325	N/A	H325
600	DH326FGK	TH3326	N/A	H326
800	DH327FGK	TC72367	N/A	H327
1200	DH328FGK	TC72368	N/A	H328

Fusible, 3-Pole, 4-Wire, 240V AC, NEMA 1

30	DH321NGK	TH4321	HF321N	H321N
60	DH322NGK	TH4322	HF322N	H322N
100	DH323NGK	TH4323	HF323N	H323N
200	DH324NGK	TH4324	HF324N	H324N
400	DH325NGK	TH4325	HF325N	H325N
600	DH326NGK	TH4326	HF326N	H326N
800	DH327NGK	TC72367 ①	HF327N	H327N
1200	DH328NGK	TC72368 ①	HF328N	H328N

Fusible, 4-Pole, 4-Wire, 240V AC, NEMA 1

30	DH421FGK	N/A	F421	H461 ②
60	DH422FGK	N/A	F422	H462 ②
100	DH423FGK	N/A	F423	H463 ②
200	DH424FGK	N/A	F424	H464 ②
400	DH425FGK	N/A	F425	H465 ②
600	DH426FGK	N/A	F426	H466 ②

Non-Fusible, 3-Pole, 3-Wire, 240V/600V AC, NEMA 1

30	DH361UGK	THN3361	HNF361	HU361
60	DH362UGK	THN3362	HNF362	HU362
100	DH363UGK	THN3363	HNF363	HU363
200	DH364UGK	THN3364	HNF364	HU364
400	DH365UGK	THN3365	HNF365	HU365
600	DH366UGK	THN3366	HNF366	HU366
800	DH367UGK	TC36367	HNF367	HU367
1200	DH368UGK	TC36368	HNF368	HU368

Fusible, 2-Pole, 2-Wire, 240V AC, NEMA 3R

30	DH221NRK	TH3221R	N/A	H221NRB
60	DH222NRK	TH3222R	N/A	H222NRB
100	DH223NRK	TH3223R	N/A	H223NRB
200	DH224NRK	TH3224R	N/A	H224NRB
400	DH225FRK	TH3225R	N/A	H225R
600	DH226FRK	TH3226R	N/A	H226R
800	DH227NRK	TC72267R	N/A	H227R
1200	DH328FRK	TC72268R	N/A	H228R

① Separate neutral kit required.

② 600V switch.

Note: Always verify the number of poles and wires required since catalog numbers may appear in multiple tables.

Heavy Duty (Continued)

Ampere Rating	Catalog Number			
	Cutler-Hammer Business	General Electric	Siemens	Square D

Fusible, 2-Pole, 3-Wire, 240V AC, NEMA 3R

30	DH221NRK	TH3221R	HF221NR	H221NRB
60	DH222NRK	TH3222R	HF222NR	H222NRB
100	DH223NRK	TH3223R	HF223NR	H223NRB
200	DH224NRK	TH3224R	HF224NR	H224NRB
400	DH225NRK	TH3225R	HF225NR	H225NR
600	DH226NRK	TH3226R	HF226NR	H226NR
800	DH227NRK	TC72267R ③	HF227NR	H227NR
1200	DH328NRK	TC72268R ③	HF228NR	H228NR

Fusible, 3-Pole, 3-Wire, 240V AC, NEMA 3R

30	DH321FRK	TH4321R	N/A	H321NRB
60	DH322FRK	TH4322R	N/A	H322NRB
100	DH323FRK	TH4323R	N/A	H323NRB
200	DH324FRK	TH4324R	N/A	H324NRB
400	DH325FRK	TH3325R	N/A	H325NR
600	DH326FRK	TH3326R	N/A	H326NR
800	DH327FRK	TC72367R	N/A	H327NR
1200	DH328FRK	TC72368R	N/A	H328NR

Fusible, 3-Pole, 4-Wire, 240V AC, NEMA 3R

30	DH321NRK	TH4321R	HF321NR	H321NRB
60	DH322NRK	TH4322R	HF322NR	H322NRB
100	DH323NRK	TH4323R	HF323NR	H323NRB
200	DH324NRK	TH4324R	HF324NR	H324NRB
400	DH325NRK	TH3325R ③	HF325NR	H325R
600	DH326NRK	TH3326R ③	HF326NR	H326R
800	DH327NRK	TC72367R ③	HF327NR	H327R
1200	DH328NRK	TC72368R ③	HF328NR	H328R

Non-Fusible, 3-Pole, 3-Wire, 240V/600V AC, NEMA 3R

30	DH361URK	THN3361R	HNF361R	HU361RB
60	DH362URK	THN3362R	HNF362R	HU362RB
100	DH363URK	THN3363R	HNF363R	HU363RB
200	DH364URK	THN3364R	HNF364R	HU364RB
400	DH365URK	THN3365R	HNF365R	HU365R
600	DH366URK	THN3366R	HNF366R	HU366R
800	DH367URK	N/A	HNF367R	HU367R
1200	DH368URK	N/A	HNF368R	HU368R

Fusible, 2-Pole, 2-Wire, 240V AC, NEMA 4/4X

30	DH221NWK	TH2221SS	HF221S	H221DS
60	DH222NWK	TH2222SS	HF222S	H222DS
100	DH223NWK	TH2223SS	HF223S	H223DS
200	DH224NWK	TH2224SS	HF224S	H224DS
400	DH225FWK	TH2225SS	HF225S	H225DS
600	DH226FWK	TH2226SS	HF226S	H226DS

Fusible, 2-Pole, 3-Wire 240V AC, NEMA 4/4X

30	DH221NWK	TH3221SS	HF321S ③	H221DS ③
60	DH222NWK	TH3222SS	HF322S ③	H222DS ③
100	DH223NWK	TH3223SS	HF323S ③	H223DS ③
200	DH224NWK	TH3224SS	HF324S ③	H224DS ③
400	DH225NWK	TH3225SS	HF325S ③	H225NDS
600	DH226NWK	TH3226SS	HF326S ③	H226NDS
800	DH227NWK	N/A	HF327S ③	N/A

Fusible, 3-Pole, 3-Wire, 240V AC, NEMA 4/4X

30	DH321FWK	TH3321SS	HF321S	H321DS
60	DH322FWK	TH3322SS	HF322S	H322DS
100	DH323NWK	TH4323SS	HF323S	H323DS
200	DH324NWK	TH4324SS	HF324S	H324DS
400	DH325FWK	TH4325SS	HF325S	H325DS
600	DH326FWK	TH4326SS	HF326S	H326DS
800	DH327FWK	N/A	HF327S	N/A

Fusible, 3-Pole, 4-Wire, 240V AC, NEMA 4/4X

30	DH321NWK	TH4321SS	HF321S ③	H321DS ③
60	DH322NWK	TH4322SS	HF322S ③	H322DS ③
100	DH323NWK	TH4323SS	HF323S ③	H323DS ③
200	DH324NWK	TH4324SS	HF324S ③	H324DS ③
400	DH325NWK	TH4325SS	HF325S ③	H325NDS
600	DH326NWK	TH4326SS	HF326S ③	H326NDS

③ Separate neutral kit required.

Table 8-74. Heavy Duty (Continued)

Ampere Rating	Catalog Number			
	Cutler-Hammer Business	General Electric	Siemens	Square D

Fusible, 2-Pole, 2-Wire, 240V AC, NEMA 12

30	DH221NDK	TH2221J	HF221J	H221AWK
60	DH222NDK	TH2222J	HF222J	H222AWK
100	DH223NDK	TH3223J	HF223J	H223AWK
200	DH224NDK	TH3224J	HF224J	H224AWK
400	DH225FDK	TH3225J	HF325J	H225AWK
600	DH226FDK	TH3226J	HF326J	H226AWK
800	DH227FDK	N/A	HF327J	H227AWK
1200	N/A	N/A	N/A	H228AWK

Fusible, 2-Pole, 3-Wire, 240V AC, NEMA 12

30	DH221NDK	TH3221J	HF221J ①	H221AWK
60	DH222NDK	TH3222J	HF222J ①	H222AWK
100	DH223NDK	TH3223J	HF223J ①	H223AWK
200	DH224NDK	TH3224J	HF224J ①	H224AWK
400	DH225NDK	TH3225J	HF325J ①	H225NAWK
600	DH226NDK	TH3226J	HF326J ①	H226NAWK
800	DH227NDK	N/A	HF327J ①	H227NAWK
1200	N/A	N/A	N/A	H228NAWK

Fusible, 3-Pole, 3-Wire, 240V AC, NEMA 12

30	DH321FDK	TH3321J	HF321J	H321AWK
60	DH322FDK	TH3322J	HF322J	H322AWK
100	DH323FDK	TH4323J	HF323J	H323AWK
200	DH324FDK	TH4324J	HF324J	H324AWK
400	DH325FDK	TH4325J	HF325J	H325AWK
600	DH326FDK	TH4326J	HF326J	H326AWK
800	DH327FDK	N/A	HF327J	H327AWK
1200	N/A	N/A	N/A	H328AWK

Fusible, 3-Pole, 4-Wire, 240V AC, NEMA 12

30	DH321NDK	TH4321J	HF321J ①	H321AWK ①
60	DH322NDK	TH4322J	HF322J ①	H322AWK ①
100	DH323NDK	TH4323J	HF323J ①	H323AWK ①
200	DH324NDK	TH4324J	HF324J ①	H324AWK ①
400	DH325NDK	TH4325J	HF325J ①	H325NAWK
600	DH326NDK	TH4326J	HF326J ①	H326NAWK
800	N/A	N/A	HF327J ①	H327NAWK
1200	N/A	N/A	N/A	H328NAWK

Fusible, 4-Pole, 4-Wire, 240V AC, NEMA 12

30	DH421FDK	N/A	N/A	N/A
60	DH422FDK	N/A	N/A	N/A
100	DH423FDK	N/A	N/A	N/A
200	DH424FDK	N/A	N/A	N/A

Fusible, 2-Pole, 2-Wire, 600V AC, NEMA 1

30	DH261FGK	TH2261DC	HF261	H361
60	DH262FGK	TH2262DC	HF262	H362
100	DH263FGK	TH2263DC	HF263	H363
200	DH264FGK	N/A	N/A	H364
400	DH265FGK	N/A	HF265	H265
600	DH266FGK	N/A	HF266	H266
800	DH267FGK	N/A	N/A	H267
1200	N/A	N/A	N/A	H268

Fusible, 3-Pole, 3-Wire, 600V AC, NEMA 1

30	DH361FGK	TH3361	HF361	H361
60	DH362FGK	TH3362	HF362	H362
100	DH363FGK	TH3363	HF363	H363
200	DH364FGK	TH3364	HF364	H364
400	DH365FGK	TH3365	HF365	H365
600	DH366FGK	TH3366	HF366	H366
800	DH367FGK	TC72367	HF367	H367
1200	DH368FGK	TC72368	HF368	H368

① Separate neutral kit required.

Note: Always verify the number of poles and wires required since catalog numbers may appear in multiple tables.

Heavy Duty (Continued)

Ampere Rating	Catalog Number			
	Cutler-Hammer Business	General Electric	Siemens	Square D

Fusible, 3-Pole, 4-Wire, 600V AC, NEMA 1

30	DH361NGK	TH3361 ②	HF361N	H361N
60	DH362NGK	TH3362 ②	HF362N	H362N
100	DH363NGK	TH3363 ②	HF363N	H363N
200	DH364NGK	TH3364 ②	HF364N	H364N
400	DH365NGK	TH3365 ②	HF365N	H365N
600	DH366NGK	TH3366 ②	HF366N	H366N
800	DH367NGK	TC72367 ②	HF367N	H367N
1200	DH368NGK	TC72368 ②	HF368 ②	H368N

Fusible, 4-Pole, 4-Wire, 600V AC, NEMA 1

30	DH461FGK	TH6661	N/A	H461
60	DH462FGK	TH6662	N/A	H462
100	DH463FGK	TH6663	N/A	H463
200	DH464FGK	TH6664	N/A	H464
400	DH465FGK	N/A	N/A	H465
600	DH466FGK	N/A	N/A	H466

Non-Fusible, 2-Pole, 2-Wire, 600V AC, NEMA 1

30	DH261UGK	THN2261DC	HNF261	HU361
60	DH362UGK	THN2262DC	HNF262	HU362
100	DH263UGK	THN2263DC	HNF263	HU363
200	DH364UGK	N/A	N/A	HU364
400	DH265UGK	N/A	HNF265	HU265
600	DH266UGK	N/A	HNF266	HU266
800	DH267UGK	N/A	N/A	HU267
1200	N/A	N/A	N/A	HU268

Non-Fusible, 4-Pole, 4-Wire, 600V AC, NEMA 1

30	DH461UGK	THN6661	N/A	HU461
60	DH462UGK	THN6662	N/A	HU462
100	DH463UGK	THN6663	N/A	HU463
200	DH464UGK	THN6664	N/A	HU464
400	DH465UGK	N/A	N/A	HU465
600	DH466UGK	N/A	N/A	HU466

Fusible, 2-Pole, 2-Wire, 600V AC, NEMA 3R

30	DH361FRK	TH2261RDC	HF261R	H361RB
60	DH362FRK	TH2262RDC	HF262R	H362RB
100	DH363FRK	TH2263RDC	HF263R	H363RB
200	DH364FRK	N/A	N/A	H364RB
400	DH365FRK	N/A	N/A	H265R
600	DH366FRK	N/A	HF265R	H266R
800	DH367FRK	N/A	HF266R	H267R
1200	DH368FRK	N/A	N/A	H268R

Fusible, 3-Pole, 3-Wire, 600V AC, NEMA 3R

30	DH361FRK	TH3361R	HF361R	H361RB
60	DH362FRK	TH3362R	HF362R	H362RB
100	DH363FRK	TH3363R	HF363R	H363RB
200	DH364FRK	TH3364R	HF364R	H364RB
400	DH365FRK	TH3365R	HF365R	H365R
600	DH366FRK	TH3366R	HF366R	H366R
800	DH367FRK	TC72367R	HF367R	H367R
1200	DH368FRK	TC72368R	HF368R	H368R

Fusible, 3-Pole, 4-Wire, 600V AC, NEMA 3R

30	DH361NRK	TH3361R ②	HF361NR	H361NRB
60	DH362NRK	TH3362R ②	HF362NR	H362NRB
100	DH363NRK	TH3363R ②	HF363NR	H363NRB
200	DH364NRK	TH3364R ②	HF364NR	H364NRB
400	DH365NRK	TH3365R ②	HF365NR	H365NR
600	DH366NRK	TH3366R ②	HF366NR	H366NR
800	DH367NRK	TC72367R ②	HF367NR	H367NR
1200	DH368NRK	TC72368R ②	HF368R	H368NR

② Separate neutral kit required.

Note: Always verify the number of poles and wires required since catalog numbers may appear in multiple tables.

Cross-Reference

Table 8-74. Heavy Duty (Continued)

Ampere Rating	Catalog Number			
	Cutler-Hammer Business	General Electric	Siemens	Square D

Non-Fusible, 2-Pole, 2-Wire, 600V AC, NEMA 3R

30	DH361URK	THN2261RDC	HNF261R	HU361RB
60	DH362URK	THN2262RDC	HNF262R	HU362RB
100	DH363URK	THN2263RDC	HNF263R	HU363RB
200	DH364URK	N/A	N/A	HU364RB
400	DH365URK	N/A	HNF265R	HU265R
600	DH366URK	N/A	HNF266R	HU266R
800	DH367URK	N/A	N/A	HU267R
1200	DH368URK	N/A	N/A	HU268R

Non-Fusible, 4-Pole, 4-Wire, 600V AC, NEMA 3R

30	DH461UDK	THN6661	N/A	N/A
60	DH462UDK	THN6662	N/A	N/A
100	DH463UDK	THN6663	N/A	N/A
200	DH464UDK	THN6664	N/A	N/A

Fusible, 2-Pole, 2-Wire, 600V AC, NEMA 4/4X Stainless Steel

30	DH261FWK	TH2261SSDC	HF261S	H361DS
60	DH362FWK	TH2262SSDC	HF262S	H362DS
100	DH363FWK	TH2263SSDC	HF263S	H363DS
200	DH264FWK	N/A	N/A	H364DS
400	DH365FWK	N/A	HF265S	H265DS
600	DH366FWK	N/A	HF266S	H266DS
800	DH367FWK	N/A	N/A	N/A

Fusible, 3-Pole, 3-Wire, 600V AC, NEMA 4/4X Stainless Steel

30	DH361FWK	TH3361SS	HF361S	H361DS
60	DH362FWK	TH3362SS	HF362S	H362DS
100	DH363FWK	TH3363SS	HF363S	H363DS
200	DH364FWK	TH3364SS	HF364S	H364DS
400	DH365FWK	TH3365SS	HF365S	H365DS
600	DH366FWK	TH3366SS	HF366S	H366DS
800	DH367FWK	N/A	HF367S	N/A

Fusible, 3-Pole, 4-Wire, 600V AC, NEMA 4/4X Stainless Steel

30	DH361NWK	TH3361SS ①	HF361S ①	H361DS ①
60	DH362NWK	TH3362SS ①	HF362S ①	H362DS ①
100	DH363NWK	TH3363SS ①	HF363S ①	H363DS ①
200	DH364NWK	TH3364SS ①	HF364S ①	H364NDS
400	DH365NWK	TH3365SS ①	HF365S ①	H365NDS
600	DH366NWK	TH3366SS ①	HF366S ①	H366NDS

Non-Fusible, 2-Pole, 2-Wire, 600V AC, NEMA 4/4X Stainless Steel

30	DH361UWK	THN2261SSDC	HNF261S	HU361DS
60	DH362UWK	THN2262SSDC	HNF262S	HU362DS
100	DH363UWK	THN2263SSDC	HNF263S	HU363DS
200	DH364UWK	N/A	N/A	HU364DS
400	DH365UWK	N/A	HNF265S	HU265DS
600	DH366UWK	N/A	HNF266S	HU266DS
800	DH367UWK	N/A	N/A	N/A

Non-Fusible, 3-Pole, 3-Wire, 600V AC, NEMA 4/4X Stainless Steel

30	DH361UWK	THN3361SS	HNF361S	HU361DS
60	DH362UWK	THN3362SS	HNF362S	HU362DS
100	DH363UWK	THN3363SS	HNF363S	HU363DS
200	DH364UWK	THN3364SS	HNF364S	HU364DS
400	DH365UWK	THN3365SS	HNF365S	HU365DS
600	DH366UWK	THN3366SS	HNF366S	HU366DS
800	DH367UWK	N/A	HNF367S	N/A

Non-Fusible, 4-Pole, 4-Wire, 600V AC, NEMA 4/4X Stainless Steel

30	DH461UWK	N/A	N/A	HU461DS
60	N/A	N/A	N/A	HU462DS
100	N/A	N/A	N/A	HU463DS
200	N/A	N/A	N/A	HU464DS

① Separate neutral kit required.

Note: Always verify the number of poles and wires required since catalog numbers may appear in multiple tables.

Heavy Duty (Continued)

Ampere Rating	Catalog Number			
	Cutler-Hammer Business	General Electric	Siemens	Square D

Fusible, 2-Pole, 2-Wire, 600V AC, NEMA 12

30	DH261FDK	TH2261JDC	HF261J	H361AWK
60	DH262FDK	TH2262JDC	HF262J	H362AWK
100	DH263FDK	TH2263JDC	HF263J	H363AWK
200	DH264FDK	N/A	N/A	H364AWK
400	DH265FDK	N/A	HF265J	H265AWK
600	DH266FDK	N/A	HF266J	H266AWK
800	DH267FDK	N/A	N/A	H267AWK
1200	N/A	N/A	N/A	H268AWK

Fusible, 3-Pole, 3-Wire, 600V AC, NEMA 12

30	DH361FDK	TH3361J	HF361J	H361AWK
60	DH362FDK	TH3362J	HF362J	H362AWK
100	DH363FDK	TH3363J	HF363J	H363AWK
200	DH364FDK	TH3364J	HF364J	H364AWK
400	DH365FDK	TH3365J	HF365J	H365AWK
600	DH366FDK	TH3366J	HF366J	H366AWK
800	DH367FDK	N/A	HF367J	H367AWK
1200	N/A	N/A	N/A	H368AWK

Fusible, 3-Pole, 4-Wire, 600V AC, NEMA 12

30	DH361NDK	THN3361J ②	HF361J ②	H361AWK ②
60	DH362NDK	THN3362J ②	HF362J ②	H362AWK ②
100	DH363NDK	THN3363J ②	HF363J ②	H363AWK ②
200	DH364NDK	THN3364J ②	HF364J ②	H364NAWK
400	DH365NDK	THN3365J ②	HF365J ②	H365NAWK
600	DH366NDK	THN3366J ②	HF366J ②	H366NAWK
800	DH367NDK	N/A	HF367J ②	H367NAWK
1200	N/A	N/A	N/A	H368NAWK

Fusible, 4-Pole, 4-Wire, 600V AC, NEMA 12

30	N/A	TH6661	N/A	H461AWK
60	N/A	TH6662	N/A	H462AWK
100	DH463FDK	TH6663	N/A	H463AWK
200	DH464FDK	TH6664	N/A	H464AWK
400	N/A	N/A	N/A	H465AWK

Non-Fusible, 2-Pole, 2-Wire, 600V AC, NEMA 12

30	DH261UDK	THN2261JDC	HNF261J	HU361AWK
60	DH262UDK	THN2262JDC	HNF262J	HU362AWK
100	DH263UDK	THN2263JDC	HNF263J	HU363AWK
200	DH264UDK	N/A	N/A	HU364AWK
400	DH265UDK	N/A	HNF265J	HU265AWK
600	DH266UDK	N/A	HNF266J	HU266AWK
800	DH267UDK	N/A	N/A	HU267AWK
1200	N/A	N/A	N/A	HU268AWK

Non-Fusible, 3-Pole, 3-Wire, 600V AC, NEMA 12

30	DH361UDK	THN3361J	HNF361J	HU361AWK
60	DH362UDK	THN3362J	HNF362J	HU362AWK
100	DH363UDK	THN3363J	HNF363J	HU363AWK
200	DH364UDK	THN3364J	HNF364J	HU364AWK
400	DH365UDK	THN3365J	HNF365J	HU365AWK
600	DH366UDK	THN3366J	HNF366J	HU366AWK
800	DH367UDK	N/A	HNF367J	HU367AWK
1200	N/A	N/A	N/A	HU368AWK

Non-Fusible, 4-Pole, 4-Wire, 600V AC, NEMA 12

30	DH461UDK	THN6661	N/A	HU461AWK
60	DH462UDK	THN6662	N/A	HU462AWK
100	DH463UDK	THN6663	N/A	HU463AWK
200	DH464UDK	THN6664	N/A	HU464AWK
400	N/A	N/A	N/A	HU465AWK

② Separate neutral kit required.

Note: Always verify the number of poles and wires required since catalog numbers may appear in multiple tables.

Motor Circuit Switches

Table 8-75. Heavy Duty 6-Pole

Ampere Rating	Catalog Number			
	Cutler-Hammer Business	General Electric	Siemens	Square D
Fusible, 6-Pole, 6-Wire, 600V AC, NEMA 3R				
30	DH661FDK	TH6661	F651H	N/A
60	DH662FDK	TH6662	F652H	N/A
100	DH663FDK	TH6663	F653H	N/A
200	DH664FDK	TH6664	N/A	N/A
Fusible, 6-Pole, 6-Wire, 600V AC, NEMA 12				
30	DH661FDK	TH6661	F651H	N/A
60	DH662FDK	TH6662	F652H	N/A
100	DH663FDK	TH6663	F653H	H663AWK
200	DH664FDK	TH6664	N/A	H664RWK
Fusible, 6-Pole, 6-Wire, 600V AC, NEMA 4X				
30	N/A	N/A	F651SS	N/A
60	N/A	N/A	F652SS	N/A
100	N/A	N/A	F653SS	H663DS
200	N/A	N/A	N/A	H664DS
Non-Fusible, 6-Pole, 6-Wire, 600V AC, NEMA 3R				
30	DH661UDK	THN6661	NF651H	N/A
60	DH662UDK	THN6662	NF652H	N/A
100	DH663UDK	THN6663	NF653H	N/A
200	DH664UDK	THN6664	N/A	N/A
Non-Fusible, 6-Pole, 6-Wire, 600V AC, NEMA 12				
30	DH661UDK	THN6661	NF651H	HU661AWK
60	DH662UDK	THN6662	NF652H	HU662AWK
100	DH663UDK	THN6663	NF653H	HU663AWK
200	DH664UDK	THN6664	N/A	HU664RWK
Non-Fusible, 6-Pole, 6-Wire, 600V AC, NEMA 4X				
30	DH661UWK	N/A	NF651SS	HU661DS
60	DH662UWK	N/A	NF652SS	HU662DS
100	DH663UWK	N/A	NF653SS	HU663DS
200	DH664UWK	N/A	N/A	HU664DS

Note: Always verify the number of poles and wires required since catalog numbers may appear in multiple tables.

Double Throw Safety Switches

Table 8-76. Double Throw

Ampere Rating	Catalog Number			
	Cutler-Hammer Business	General Electric	Siemens	Square D
Fusible, 2-Pole, 2-Wire, 240V AC, NEMA 1				
30	DT321FGK	TDT3321	N/A	N/A
60	DT322FGK	TDT3322	N/A	N/A
100	DT323FGK	TDT3323	N/A	DT223
200	DT224FGK	TDT3324	F224DTK	DT224
400	DT325FGK	TDT3325	N/A	N/A
600	DT326FGK	TDT3326	N/A	N/A
Fusible, 3-Pole, 3-Wire, 240V AC, NEMA 1				
30	DT321FGK	TDT3321	F321DTK	DT321
60	DT322FGK	TDT3322	F322DTK	DT322
100	DT323FGK	TDT3323	F323DTK	DT323
200	DT324FGK	TDT3324	F324DTK	DT324
400	DT325FGK	TDT3325	F325DTK	N/A
600	DT326FGK	TDT3326	F326DTK	N/A
Non-Fusible, 2-Pole, 2-Wire, 240V AC, NEMA 1				
30	DT221UGK	N/A	NF221DTK	92251
60	DT222UGK	N/A	NF222DTK	DTU222
100	DT223UGK	N/A	NF223DTK	DTU223
200	DT224UGK	N/A	NF224DTK	DTU224
400	DT225UGK	N/A	NF225DTK	92255
600	DT226UGK	N/A	NF226DTK	N/A
800	DT327UGK	N/A	N/A	N/A
Non-Fusible, 3-Pole, 3-Wire, 240V AC, NEMA 1				
30	DT321UGK	TC35321	NF321DTK	DTU321
60	DT322UGK	TC35322	NF322DTK	DTU322
100	DT323UGK	TC35323	NF323DTK	DTU323
200	DT324UGK	TC35324	NF324DTK	DTU324
400	DT325UGK	TC35325	NF325DTK	92355
600	DT326UGK	TC35326	NF326DTK	92356
800	DT327UGK	N/A	NF327DTK	N/A
Fusible, 3-Pole, 3-Wire, 600V AC, NEMA 1				
30	DT361FGK	TDT3361	F351DTK	DT361
60	DT362FGK	TDT3362	F352DTK	DT362
100	DT363FGK	TDT3363	F353DTK	DT363
200	DT364FGK	TDT3364	F354DTK	DT364
400	DT365FGK	TDT3365	F355DTK	N/A
600	N/A	N/A	N/A	N/A
Non-Fusible, 2-Pole, 2-Wire, 600V AC, NEMA 1				
30	DT261UGK	N/A	NF251DTK	N/A
60	DT262UGK	N/A	NF252DTK	82342
100	DT263UGK	N/A	NF253DTK	82343
200	DT264UGK	N/A	NF254DTK	82344
400	DT265UGK	N/A	NF255DTK	92345
600	DT266UGK	N/A	NF256DTK	92346
Non-Fusible, 3-Pole, 3-Wire, 600V AC, NEMA 1				
30	DT361UGK	TC35361	NF351DTK	DTU361
60	DT362UGK	TC35362	NF352DTK	DTU362
100	DT363UGK	TC35363	NF353DTK	DTU363
200	DT364UGK	TC35364	NF354DTK	DTU364
400	DT365UGK	TC35365	NF355DTK	92345
600	DT366UGK	TC35366	NF356DTK	92346
800	DT367UGK	N/A	NF357DTK	N/A
1200	N/A	N/A	N/A	N/A
Non-Fusible, 4-Pole, 4-Wire, 600V AC, NEMA 1				
30	N/A	N/A	N/A	N/A
60	N/A	N/A	N/A	DTU462
100	N/A	N/A	N/A	DTU463
200	DT464UGK	N/A	NF454DTK	DTU464
400	DT465UGK	N/A	NF455DTK	92445
600	DT466UGK	N/A	NF456DTK	92446
800	DT467UGK	N/A	NF457DTK	N/A
Fusible, 2-Pole, 2-Wire, 240V AC, NEMA 3R				
30	DT321FRK	TDT3321R	N/A	N/A
60	DT322FRK	TDT3322R	N/A	N/A
100	DT323FRK	TDT3323R	N/A	DT223RB
200	DT224FRK	TDT3324R	FR224DTK	DT224RB



Cross-Reference

 January 2003
 Vol. 1, Ref. No. [0284]

Table 8-76. Double Throw (Continued)

Ampere Rating	Catalog Number			
	Cutler-Hammer Business	General Electric	Siemens	Square D

Fusible, 3-Pole, 3-Wire, 240V AC, NEMA 3R

30	DT321FRK	TDT3321R	FR321DTK	DT321RB
60	DT322FRK	TDT3322R	FR322DTK	DT322RB
100	DT323FRK	TDT3323R	FR323DTK	DT323RB
200	DT324FRK	TDT3324R	FR324DTK	DT324RB
400	DT325FRK	N/A	FR325DTK	N/A
600	DT326FRK	N/A	FR326DTK	N/A

Non-Fusible, 2-Pole, 2-Wire, 240V AC, NEMA 3R

30	N/A	N/A	N/A	N/A
60	N/A	N/A	N/A	N/A
100	DT323URK	N/A	N/A	DTU223RB
200	DT224URK	N/A	NFR224DTK	DTU224RB
400	DT225URK	N/A	NFR225DTK	92255R

Non-Fusible, 3-Pole, 3-Wire, 240V AC, NEMA 3R

30	N/A	N/A	N/A	N/A
60	N/A	N/A	N/A	N/A
100	DT323URK	N/A	NFR323DTK	DTU323RB
200	DT324URK	N/A	NFR324DTK	DTU324RB
400	N/A	N/A	N/A	92355R
600	N/A	N/A	N/A	92356R

Fusible, 3-Pole, 3-Wire, 600V AC, NEMA 3R

30	N/A	N/A	N/A	DT361RB
60	N/A	N/A	N/A	DT362RB
100	DT363FRK	N/A	FR353DTK	DT363RB
200	DT364FRK	N/A	FR354DTK	DT364RB
400	DT365FRK	N/A	FR355DTK	N/A

Non-Fusible, 2-Pole, 2-Wire, 600V AC, NEMA 3R

30	N/A	N/A	N/A	N/A
60	N/A	N/A	N/A	82342RB
100	N/A	N/A	N/A	82343RB
200	DT264URK	N/A	NFR254DTK	82344RB
400	DT265URK	N/A	NFR255DTK	92345RB
600	DT266URK	N/A	NFR256DTK	92346RB

Non-Fusible, 3-Pole, 3-Wire, 600V AC, NEMA 3R

30	DT361URK	N/A	NFR351DTK	DTU361RB
60	DT362URK	N/A	NFR352DTK	DTU362RB
100	DT363URK	N/A	NFR353DTK	DTU363RB
200	DT364URK	N/A	NFR354DTK	DTU364RB
400	DT365URK	N/A	NFR355DTK	92345RB
600	DT366URK	N/A	NFR356DTK	92346RB
800	DT367URK	N/A	NFR357DTK	N/A

Non-Fusible, 4-Pole, 4-Wire, 600V AC, NEMA 3R

30	DT461URK	N/A	NFR451DTK	N/A
60	DT462URK	N/A	NFR452DTK	92442RB
100	DT463URK	N/A	NFR453DTK	92443RB
200	DT464URK	N/A	NFR454DTK	92444RB
400	DT465URK	N/A	NFR455DTK	92445R
600	DT466URK	N/A	NFR456DTK	92446R
800	DT467URK	N/A	NFR457DTK	N/A

Non-Fusible, 6-Pole, 6-Wire, 600V AC, NEMA 3R

30	DT661URK	N/A	NFR651DTK	N/A
60	DT662URK	N/A	NFR652DTK	N/A
100	DT663URK	N/A	NFR653DTK	N/A

Non-Fusible, 2-Pole, 2-Wire, 240V AC, NEMA 12 ①

30	DT361UDK	N/A	NF351HDTK	H92251
60	DT362UDK	N/A	NF352HDTK	H82252
100	DT363UDK	N/A	NF353HDTK	H82253
200	DT364UDK	N/A	NF354HDTK	H82254
400	DT365UDK	N/A	NF355HDTK	H92255

Non-Fusible, 3-Pole, 3-Wire, 240V AC, NEMA 12 ①

30	DT361UDK	N/A	NF351HDTK	H92351
60	DT362UDK	N/A	NF352HDTK	DTU362AWK
100	DT363UDK	N/A	NF353HDTK	DTU363AWK
200	DT364UDK	N/A	NF354HDTK	DTU364AWK
400	DT365UDK	N/A	NF355HDTK	H92355
600	N/A	N/A	N/A	H92356

① Cutler-Hammer and Siemens switches shown are 600V switches.

Double Throw (Continued)

Ampere Rating	Catalog Number			
	Cutler-Hammer Business	General Electric	Siemens	Square D

Non-Fusible, 4-Pole, 4-Wire, 240V AC, NEMA 12

30	N/A	N/A	N/A	H92451
60	N/A	N/A	N/A	DTU462AWK
100	N/A	N/A	N/A	DTU463AWK
200	N/A	N/A	N/A	DTU464AWK
400	N/A	N/A	N/A	H92455
600	N/A	N/A	N/A	H92456

Non-Fusible, 2-Pole, 2-Wire, 600V AC, NEMA 12

30	DT361UDK	N/A	NF351HDTK	N/A
60	DT362UDK	N/A	NF352HDTK	H82342
100	DT363UDK	N/A	NF353HDTK	H82343
200	DT364UDK	N/A	NF354HDTK	H82344
400	DT365UDK	N/A	NF355HDTK	H92345
600	N/A	N/A	N/A	H92346

Non-Fusible, 3-Pole, 3-Wire, 600V AC, NEMA 12

30	DT361UDK	N/A	NF351HDTK	N/A
60	DT362UDK	N/A	NF352HDTK	DTU362AWK
100	DT363UDK	N/A	NF353HDTK	DTU363AWK
200	DT364UDK	N/A	NF354HDTK	DTU364AWK
400	DT365UDK	N/A	NF355HDTK	H92345
600	N/A	N/A	N/A	H92346

Non-Fusible, 4-Pole, 4-Wire, 600V AC, NEMA 12

30	N/A	N/A	N/A	N/A
60	N/A	N/A	N/A	DTU462AWK
100	N/A	N/A	N/A	DTU463AWK
200	N/A	N/A	N/A	DTU464AWK
400	N/A	N/A	N/A	H92445
600	N/A	N/A	N/A	H92446

Non-Fusible, 2-Pole, 2-Wire, 600V AC, NEMA 4X

30	DT361UWK	N/A	NF351SSDTK	N/A
60	DT362UWK	N/A	NF352SSDTK	82342DS
100	DT363UWK	N/A	NF353SSDTK	82343DS
200	DT364UWK	N/A	NF354SSDTK	82344DS
400	DT365UWK	N/A	NF355SSDTK	N/A

Non-Fusible, 3-Pole, 3-Wire, 600V AC, NEMA 4X

30	DT361UWK	N/A	NF351SSDTK	N/A
60	DT362UWK	N/A	NF352SSDTK	DTU362DS
100	DT363UWK	N/A	NF353SSDTK	DTU363DS
200	DT364UWK	N/A	NF354SSDTK	DTU364DS
400	DT365UWK	N/A	NF355SSDTK	N/A

Non-Fusible, 4-Pole, 4-Wire, 600V AC, NEMA 4X

30	N/A	N/A	N/A	N/A
60	N/A	N/A	N/A	DTU462DS
100	N/A	N/A	N/A	DTU463DS
200	N/A	N/A	N/A	DTU464DS

Fusible, 3-Pole, 3-Wire, 600V AC, NEMA 4X

30	DT361FWK	N/A	F351SSDTK	N/A
60	DT362FWK	N/A	F352SSDTK	N/A
100	DT363FWK	N/A	F353SSDTK	N/A
200	DT364FWK	N/A	F354SSDTK	N/A
400	DT365FWK	N/A	F355SSDTK	N/A

Note: Always verify the number of poles and wires required since catalog numbers may appear in multiple tables.

January 2003
 Vol. 1, Ref. No. [0285]

Product Description

Eaton's Cutler-Hammer Enclosed Circuit Breakers

Product Description

- 15 – 1200 ampere range.
- Enclosed device used to open and close a circuit.

Application Description

NEMA 1 General Purpose

Surface or Flush Mounting 15 – 1200 Ampere Range 600V AC, 500V DC

NEMA 1 enclosed breakers are designed for indoor use in commercial buildings, apartment buildings and other areas where a general purpose enclosure is applicable. The breaker is front operable and is capable of being padlocked in the OFF position. Ratings through 1200 amperes are listed with Underwriters Laboratories as suitable for service entrance application. Both surface and flush mounted enclosures are available.

- **UL File Number E7819.**
- **CSA File Number LR84319.**



NEMA 1 General Purpose

NEMA 3R Rainproof Surface Mounting

Interchangeable Hubs (through 400 Amperes) 15 – 1200 Ampere Range 600V AC, 500V DC

This general purpose outdoor service center employs a circuit breaker inside a weatherproof sheet steel enclosure to serve as a main disconnect and protective device for feeder circuits. The operating handle can be padlocked in the OFF position, and is interlocked to prevent the door from opening when the breaker is ON. Ratings through 1200 amperes are listed by Underwriters Laboratories as suitable for service entrance application.

- **UL File Number E7819.**
- **CSA File Number LR84319.**



NEMA 3R Rainproof Surface Mounting

NEMA 4/4X, 5 Water and Dustproof

Stainless Steel — Type 304 Surface Mounting 15 – 1200 Ampere Range 600V AC, 500V DC

This enclosure meets NEMA 4/4X and 5 requirements for water and dustproof applications and has no knockouts or other openings. It is particularly well suited for use in dairies, borax mines, breweries, paper mills and other process industries. The operating handle can be padlocked in the OFF position, and is interlocked to prevent the door from opening when the breaker is ON. Ratings through 1200 amperes are Underwriters Laboratories listed as suitable for service entrance application.

- **UL File Number E7819.**
- **CSA File Number LR84319.**



NEMA 4/4X Water and Dustproof

NEMA 12 Dustproof Surface Mounting

No Knockouts or Other Openings 15 – 1200 Ampere Range 600V AC, 500V DC

The Type 12 enclosure is designed in line with specifications for special industry application where unusually severe conditions involving oil, coolant, dust and other foreign materials exist in the operating atmosphere. The handle padlocks in the OFF position and the cover is interlocked with the handle mechanism to prevent opening the cover with the circuit breaker in the ON position. Ratings through 1200 amperes are listed by Underwriters Laboratories as suitable for service entrance application. A NEMA 12 semi-dust-tight design which includes knockouts is available. These units are rated 15 – 400 amperes, 600V AC, 500V DC.

- UL File Number E7819.
- CSA File Number LR84319.



NEMA 12 Dustproof Surface Mounting

NEMA 7/9 Hazardous Location

Cast Aluminum, Explosion-proof Surface Mounting 15 – 1200 Ampere Range 600V AC, 250V DC

Hazardous location, Type 7: Class I, Groups B, C, D; Type 9: Class II, Groups E, F, G. This special service cast aluminum enclosure is supplied with a wide, machined flanged cover to prevent igniting outside atmospheres by arcing from inside the enclosure. Front operable, the handle padlocks in the OFF position. Enclosures rated 600 amperes and above have lift-off hinges for ease of assembly.

Note: XFDN050B is not Group B compliant.

- UL File Number E84577.
- CSA File Number LR42131-6.



NEMA 7/9 Hazardous Location

Features, Benefits and Functions

- Side-opening door on NEMA 3R enclosures.
- Padlockable in the OFF position.
- Surface or flush mounted enclosures available through 400A on NEMA 1 enclosures.
- Interlocked handle on NEMA 3R, 4/4X, 5 and 12 enclosures to prevent opening when the breaker is in the ON position.
- Interchangeable hubs.
- Numerous factory options.

Standards and Certifications

- UL 489.
- CSA 22.2.
- NEMA 250.

Table 8-77. Enclosure Only Catalog Numbers Selection Guide

Breaker Frame	Breaker Ampere Range	Enclosure		Price U.S. \$
		NEMA Class	Catalog Number	
Series C Breakers				
GHC, GD 2- and 3-Pole only GHCGFEP 1-Pole Only	15 – 100	1 Surface	SGDN100 ①	155.
		3R	RGDN100	335.
		12	JGDN100	209.
		12K	DGDN100	209.
		4/4X, 5 St. Steel	WGDN100	910.
EHD, FD, FDB, HFD	15 – 100	1 Surface	SFDN100	168.
		1 Flush	FFDN100	168.
		3R	RFDN100	352.
		12	JFDN100	220.
		12K	DFDN100	220.
		4/4X, 5 St. Steel	WFDN100	955.
EHD, FD, FDB HFD, FDC	15 – 50 60 – 225 ②	7/9 Cast Alum.	XFDN050B ③	2,400.
		7/9 Cast Alum.	XFDN225B ③	2,950.
FD, FDB, HFD, ED, EDH, EDC, FDC (15 – 225A)	125 – 225	1 Surface	SFDN225	184.
		1 Flush	FFDN225	184.
		3R	RFDN225	482.
		12	JFDN225	252.
		12K	DFDN225	252.
		4/4X, 5 St. Steel	WFDN225	1,260.
JD, JDB, HJD, JDC	125 – 250	1 Surface	SJDN250	188.
		1 Flush	FJDN250	188.
		3R	RJDN250	490.
		12	JJDN250	335.
		12K	DJDN250	335.
		4/4X, 5 St. Steel	WJDN250	1,950.
JD, JDB, HJD, JDC	125 – 250	7/9 Cast Alum.	XJDN250B ③	6,590.
KD, KDB, HKD, KDC, DK	125 – 400	1 Surface	SKDN400	265.
		1 Flush	FKDN400	265.
		3R	RKDN400	1,077.
		12	JKDN400	590.
		12K	DKDN400	620.
		4/4X, 5 St. Steel	WKDN400	3,700.
KD, KDB, HKD, KDC, DK	125 – 400	7/9 Cast Alum.	XKDN400B ③	10,780.
LD, LDB, HLD	300 – 600	1 Surface	SLDN600	406.
		3R	RLDN600	1,450.
		12	JLDN600	985.
		4/4X, 5 St. Steel	WLDN600	6,070.
		7/9 Cast Alum.	XMCN800B ③	14,520.
LD, LDB, HLD, MDL, HMDL	300 – 600 400 – 800	1 Surface	SNDN1200	750.
		3R	RNDN1200	1,730.
		12	JNDN1200	1,325.
		4/4X, 5 St. Steel	WNDN1200	8,830.
ND, HND	—	7/9 Cast Alum.	XNDN1200B ③	26,940.

① Suitable for use with one-pole breaker base mounting plate kit. QCCBP required.
② Maximum wire size: 4/0.
③ Discount Symbol **22-CD**.

Enclosure Only Catalog Numbers Selection Guide (Continued)

Breaker Frame	Breaker Ampere Range	Enclosure		Price U.S. \$
		NEMA Class	Catalog Number	
Earth Leakage Breakers				
ELFD, ELHFD & ELFDC (3-Pole Only)	15 – 100	1 Surface	SFD100E	184.
		1 Flush	FFD100E	184.
		3R	RFDN100E	482.
		12	JFDN100E	252.
		12K	DFDN100E	252.
	4/4X	WFDN100E	1,260.	

Note: For Current Limit-R and TRI-PAC® Breakers, please contact e-Com customer support.

Accessories

Options and Accessories

1. Nameplates Applied

Customer must provide nameplate legend at the time of order.

Table 8-78. Options and Accessories 1

Description	Price U.S. \$ Adder
Nameplate (each)	125.

2. Key Interlock Systems

Interlocks are used to prevent an authorized operation. Before system construction can begin, the following information must be known:

1. User — name, address and telephone number.
2. Complete lock scheme required.

Table 8-79. Options and Accessories 2

Description	Price U.S. \$ Adder
Lock (each)	2,500. ①

① NEMA 3R, 12, 12K and 4/4X only. Contact Eaton's Cutler-Hammer satellite for NEMA 1.

3. Neutral Assemblies Installed

Table 8-80. Options and Accessories 3

Ampere Rating	Price U.S. \$ Adder
100	117.
250	195.
400	260.
600	315.
1200	493.

4. Separate Ground Lug Installed

Table 8-81. Options and Accessories 4

Ampere Rating	Price U.S. \$ Adder
100	90.
250	125.
400	150.
600	200.
800	300.
1200	400.

5. Special Paint Finish

Table 8-82. Options and Accessories 5

Description
Consult Eaton's Cutler-Hammer Customer Support Center

6. Pilot Light On NEMA 1 Enclosure

Table 8-83. Options and Accessories 6

Description	Price U.S. \$ Adder
Pilot Light	125.

7. Stainless Steel Flush Covers

Table 8-84. Options and Accessories 7

Frame	Price U.S. \$ Adder
F	350.
J	400.
K	450.

8. Assembled Enclosed Circuit Breakers Modifications and Accessories

Table 8-85. Options and Accessories 8

Accessories	Modifications	Breaker Frame	Description	Price U.S. \$ Adder
Auxiliary Switches (Specify Voltage and Hz)		G, F, J, K, L, M, N	1A, 1B	200.
		G, F, J, K, L, M, N	2A, 2B	400.
		K, L, M, N	3A, 3B	600.
		R	1A, 1B	215.
Shunt Trips (Specify Voltage and Hz)		G, F, J, K, L, M, N, R		488.
Alarm Switches (Specify Voltage and Hz)		G, F, J, K, L, M, N	1 Make, 1 Break	200.
		F, K, L, M, N	2 Make, 2 Break	400.
Undervoltage Release (Specify Voltage and Hz)		G, F, J, K, L, M, N, R		488.

9. Electronic Trip Options

Table 8-86. Options and Accessories 9

Frame Type	Number of Poles	Description	Price U.S. \$ Adder
KD, HKD	3	RMS 310 LS	560.
		RMS 310 LSI	1,065.
		RMS 310 LSG ②	1,800.
		RMS 310 LSiG ②	2,305.
LD, HLD	3	RMS 310 LS	430.
		RMS 310 LSI	1,920.
		RMS 310 LSG ②	2,915.
		RMS 310 LSiG ②	4,020.
MDL, HMDL	3	RMS 310 LS	730.
		RMS 310 LSI	2,180.
		RMS 310 LSG ②	3,045.
		RMS 310 LSiG ②	4,505.
ND	3	RMS 310 LS	Standard
		RMS 310 LSI	1,500.
		RMS 310 LSG ②	2,490.
		RMS 310 LSiG ②	3,980.
RD	3	RMS 310 LS	Standard
		RMS 310 LSI	425.
		RMS 310 LSG	1,900.
		RMS 310 LSiG	2,325.
		RMS 510 LS ③	2,300.
		RMS 610 LS ③	4,600.
		RMS 810 LS ③	8,000.
		RMS 910 LS ③	9,000.

② Ground Fault application not available with NEMA 7/9. Contact Eaton's Cutler-Hammer Customer Support Center.

③ Add to the appropriate RD RMS 310 adder.

January 2003
Vol. 1, Ref. No. [0289]

Accessories

10. Raintight Hubs

All rainproof enclosures 30A through 400A are shipped with plate over cutout. Hubs are not supplied with screws on 30A through 400A enclosures. Use screws from plate.



Raintight Hubs

Table 8-87. Options and Accessories 10

Hubs	Hub Diameter		Catalog Number	Price U.S. \$
	(Inches)	(mm)		
Small				
For use with RGDN and RFDN	3/4	19.1	DS075H1	26.75
	1	25.4	DS100H1	26.75
	1-1/4	31.8	DS125H1	26.75
	1-1/2	38.1	DS150H1	26.75
	2	50.8	DS200H1	43.50
Large				
For use with RJDN. RKDN has 2 cutouts	2	50.8	DS200H2	43.50
	2-1/2	63.5	DS250H2	78.00
	3	76.2	DS300H2	90.50
Required if using small DS hubs on RJDN and RKDN enclosures.			DS900AK	12.40

11. Breather and Drain, Hazardous Enclosures

A Universal Breather/Drain Fitting is installed in the top of an enclosure to provide ventilation to minimize condensation and in the bottom to allow drainage of accumulated condensation while maintaining explosion-proof integrity.

Table 8-88. Options and Accessories 11

Type	Compliance		Conduit Opening	Catalog Number	Price U.S. \$
	NEMA 7	NEMA 9			
BD	Class I, Groups C, D; Class I, Zone 1, Group IIB	Class II, Groups F, G	1/2	XPBD2	98.70
DBB	Class I, Groups B, C, D; Class I, Zone 1, Group IIB + Hydrogen	Class II, Groups E, F, G	1/2	XPDBB50	117.00

12. Neutral Kits, Insulated and Groundable

Table 8-89. Options and Accessories 12

Maximum Enclosure Rating (A)	Main Lug Size Cu/Al	Ground Lug Size Cu/Al	Catalog Number	Price U.S. \$
100 SFDN100 RFDN100	(1) 14 - 1/0	(1) 14 - 2	DH100NK	136.00
100 (all others)	(1) 14 - 1/0	(1) 14 - 1/0	INK100 ①	118.00
250	(1) 4 - 350 kcmil	(1) 4 - 300 kcmil	INK250 ①	195.00
400	(1) 4 - 600 kcmil or (2) 1/0 - 250 kcmil	(1) 4 - 300 kcmil	INK400 ①	260.00
600	(2) 250 - 500 kcmil	(1) 4 - 300 kcmil	INK600 ①	316.00
1200	(4) 1/0 - 750 kcmil	(1) #6 - 250 kcmil	INK1200 ①	494.00

① Discount Symbol 22-CD.

Modifications

Allowable accessory combinations can be reviewed in the Cutler-Hammer Circuit Breaker Product Guide: PG.74.A.01.T.E. Verify final application with Eaton's Cutler-Hammer Customer Support Center.

Flex Center

Introduction

The Safety Switch Flex Center is a special facility at the site of our Cleveland, Tennessee plant that is dedicated to providing customized enclosed circuit breakers that meet customer's challenging applications.

The Flex Center is a solutions center that provides real value:

- A dedicated and knowledgeable engineering/manufacturing/customer service team to meet your needs.
- A production facility stocked with a full arsenal of equipment to get the job done.
- The industry's shortest lead time.
- Easy ordering through our distributors.
- Factory installed modifications include (but are not limited to) the following:
 - Special size enclosure
 - Phenolic nameplates
 - Stainless steel flush cover
 - Special paint
 - Lock-on provisions
 - Neutral assemblies — factory installed
 - Equipment ground lugs — factory installed
 - Cover control (pilot lights, push-buttons, selector switches, etc.)
- For application, availability or pricing questions, contact the Safety Switch Flex Center at 1-888-329-9272.



Discount Symbol 22-CD

Satellite Service Locations

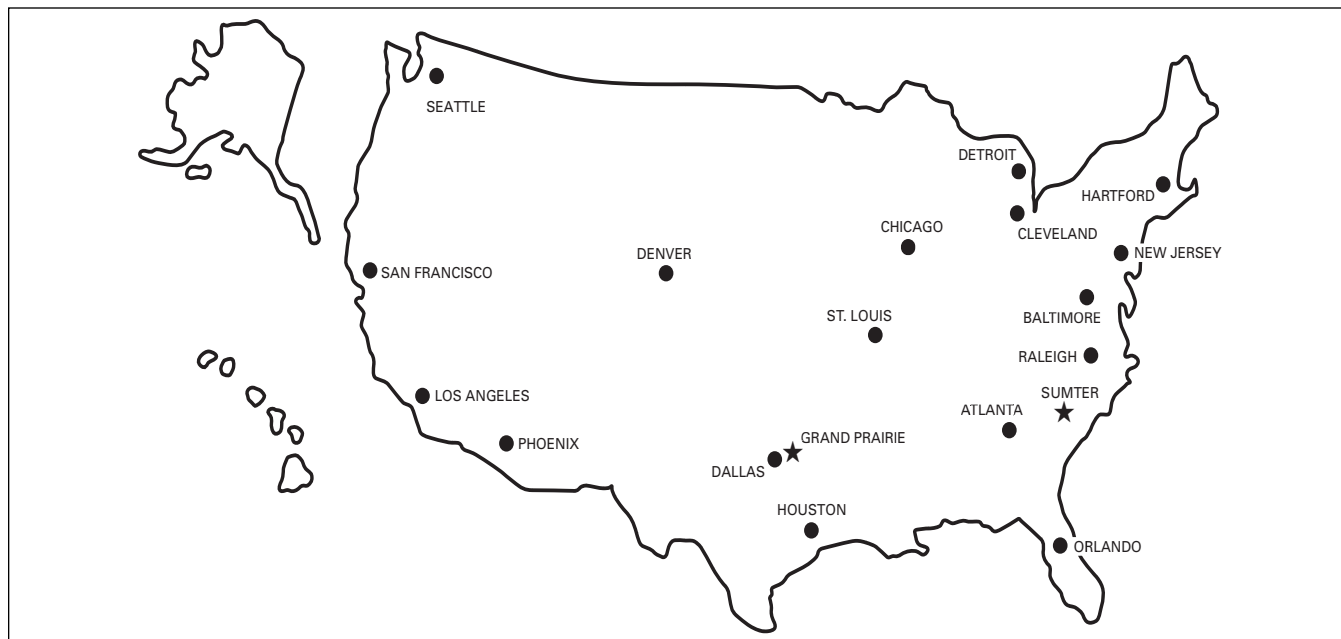


Figure 8-10. Satellite Service Locations

Satellite Plants

Atlanta

7990-A 2nd Flag Drive
Austell, GA 30168
Fax (770) 944-2033
Phone (770) 944-1022

Baltimore

6671 Santa Barbara Court
Suite F
Elk Ridge, MD 21227
Fax (410) 796-7755
Phone (410) 796-7777

Chicago

959 AEC Drive
Wood Dale, IL 60191
Fax (630) 860-3569
Phone (630) 860-3500

Cleveland

5565 Venture Drive
Unit B
Parma, OH 44130
Fax (216) 433-0545
Phone (216) 433-0616

Dallas

1100 Avenue T
Grand Prairie, TX 75050
Fax (972) 641-6435
Phone (972) 988-3339

Denver

14101 East 33rd Place
Suite F
Aurora, CO 80011
Fax (303) 371-4175
Phone (303) 371-7844

Detroit

22670 Heslip Drive
Novi, MI 48375-4141
Fax (248) 735-2917
Phone (248) 735-2911

Hartford

625 Day Hill Road
Windsor, CT 06095
Fax (860) 688-4982
Phone (860) 688-7330

Houston

10810 West Little York
Suite 100
Houston, TX 77041
Fax (713) 688-3764
Phone (713) 688-8430

Los Angeles

5590 East Juruda Avenue
Ontario, CA 91761
Fax (909) 390-8854
Phone (909) 390-8853

New Jersey

96 Stemmers Lane
Westampton, NJ 08060
Fax (609) 835-4777
Phone (609) 835-4230

Orlando

3827 St. Valentine Way
Orlando, FL 32811
Fax (407) 841-9135
Phone (407) 843-3863

Phoenix

921 South Park Lane
Tempe, AZ 85281
Fax (480) 449-4223
Phone (480) 449-4222

Raleigh

2933 S. Miami Blvd.
Suite 111
Durham, NC 27703
Fax (919) 572-9751
Phone (919) 544-7074

St. Louis

12947 Gravois Road
St. Louis, MO 63127
Fax (314) 842-2552
Phone (314) 842-7662

San Francisco

20923 Cabot Boulevard
Hayward, CA 94545
Fax (510) 784-8980
Phone (510) 784-8981

Seattle

18657 72nd Avenue S.
Kent, WA 98032
Fax (425) 251-0079
Phone (425) 251-9081

Technical Data and Specifications

NEMA 1, 12, 12K, 3R

Note: Not to be used for construction purposes unless approved.

Table 8-90. NEMA 1 Surface Mounted (See Figure 8-12)

Frame	Maximum Amperes	Dimensions in Inches (mm)					Approximate Weight in Lbs. (kg)
		A	B	C	D	E	
G	100	17-1/2 (444)	8-13/32 (214)	6-9/32 (160)	13-1/32 (331)	1-13/64 (31)	12 (5)
F ①	100	19-1/8 (485)	9-1/8 (232) ②	5-13/64 (132)	17 (432)	N/A ③	13 (6)
Earth Leakage	100	23-1/4 (591)	8-13/32 (214)	6-9/32 (160)	18-3/4 (476)	1-13/64 (31)	15 (7)
F ④	225	23-1/4 (591)	8-13/32 (214)	6-9/32 (160)	18-3/4 (476)	1-13/64 (31)	15 (7)
J	250	34-45/64 (881)	10-59/64 (277)	7-13/64 (183)	30 (762)	1-7/8 (48)	31 (14)
K ⑤	400	38-13/16 (986)	11-1/16 (281)	10-15/16 (278)	34 (864)	2-9/32 (58)	53 (24)
L	600	45-7/8 (1165)	14-5/16 (364)	12-3/8 (314)	46-9/16 (1183)	1-29/32 (48)	81 (37)
M, N	1200	61-7/32 (1555)	21-7/16 (545)	15-13/32 (391)	61-27/32 (1571)	1-31/32 (50)	178 (81)

- ① SFDN100 Series "B" released 9/15/01.
- ② Total width, including door clip is 9.95 inches (253 mm).
- ③ Single centered mounting hole provided.
- ④ Maximum wire size: 4/0.
- ⑤ Maximum wire size: 500 kcmil.

Table 8-91. NEMA 1 Flush Mounted (See Figure 8-13)

Frame	Maximum Amperes	Dimensions in Inches (mm)					Approximate Weight in Lbs. (kg)
		A	B	C	D	E	
F	100	18-13/16 (478)	9-23/32 (247)	6-9/32 (160)	13-1/32 (331)	1-55/64 (47)	12 (5)
Earth Leakage	100	24-9/16 (624)	9-23/32 (247)	6-9/32 (160)	18-3/4 (476)	1-55/64 (47)	15 (7)
F ⑥	225	24-9/16 (624)	9-23/32 (247)	6-9/32 (160)	18-3/4 (476)	1-55/64 (47)	15 (7)
J	250	36-1/64 (915)	12-15/64 (311)	7-13/64 (183)	30 (762)	1-7/8 (48)	32 (15)
K ⑦	400	40-1/8 (1019)	12-3/8 (314)	10-15/16 (278)	34 (864)	2-15/16 (75)	53 (24)

- ⑥ Maximum wire size: 4/0.
- ⑦ Maximum wire size: 500 kcmil.

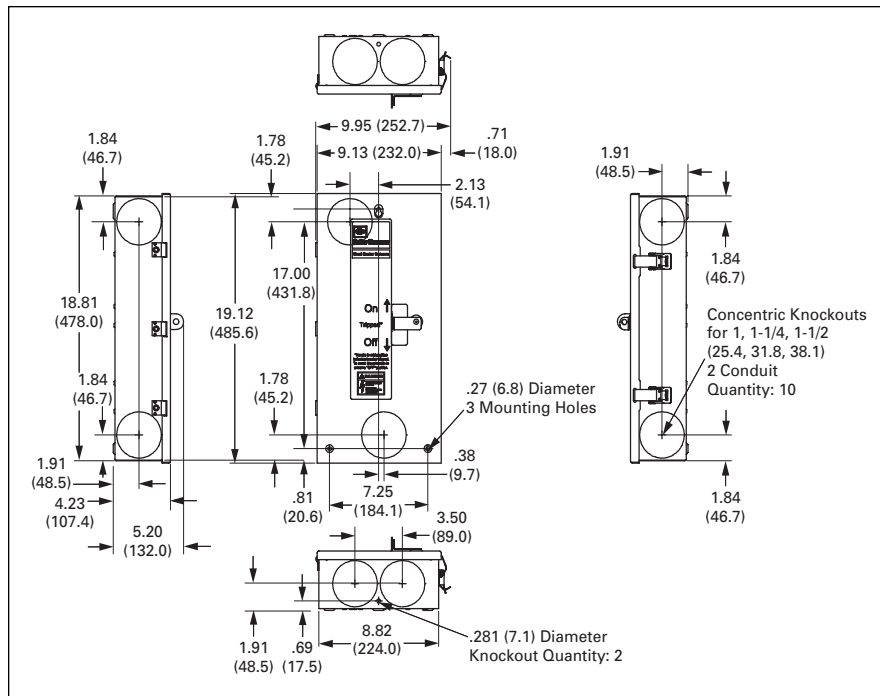


Figure 8-11. NEMA 1 Surface Mounted SFDN100 Series "B"

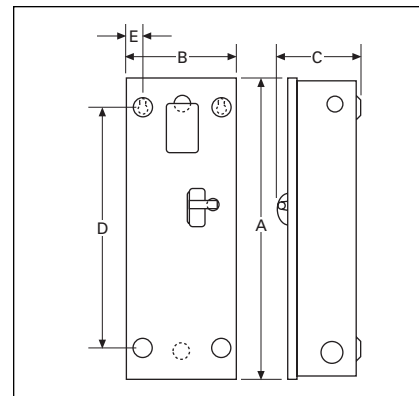


Figure 8-12. NEMA 1 Surface Mounted

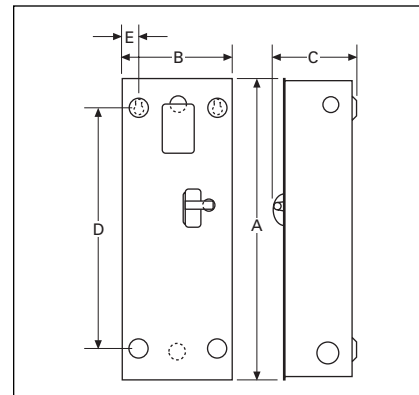


Figure 8-13. NEMA 1 Flush Mounted

Technical Data and Specifications

Table 8-92. NEMA 12, 12K Dustproof (See Figure 8-15)

Frame	Maximum Amperes	Dimensions in Inches (mm)					Approximate Weight in Lbs. (kg)
		A	B	C	D	E	
G, F	100	19-29/32 (506)	9-5/32 (232)	9-5/16 (237)	18-17/32 (471)	1-45/64 (43)	16 (7)
Earth Leakage	100	19-29/32 (506)	9-5/32 (232)	9-5/16 (237)	18-17/32 (471)	1-45/64 (43)	19 (9)
FBP, FCL	100	25-21/32 (652)	9-5/32 (232)	9-5/16 (237)	24-9/32 (617)	1-45/64 (43)	19 (9)
F ①	225	25-21/32 (652)	9-5/32 (232)	9-5/16 (237)	24-9/32 (617)	1-45/64 (43)	19 (9)
J	250	37-17/32 (953)	11-7/8 (301)	10-7/32 (260)	35-49/64 (909)	1-15/16 (49)	37 (17)
K ②	400	41-11/16 (1059)	12-5/16 (313)	14-1/16 (357)	39-15/16 (1014)	1-31/32 (50)	58 (26)
L	600	48-5/16 (1227)	15-9/16 (395)	15-1/2 (394)	46-9/16 (1183)	1-59/64 (49)	84 (38)
NBP	800	63-19/32 (1615)	22-5/8 (575)	17-5/8 (448)	—	—	110 (50)
M, N	1200	63-19/32 (1615)	22-5/8 (575)	17-5/8 (448)	61-27/32 (1571)	1-31/32 (50)	175 (80)
G, F	100	19-29/32 (506)	9-5/32 (232)	9-5/16 (237)	—	—	16 (7)
Earth Leakage	100	19-29/32 (506)	9-5/32 (232)	9-5/16 (237)	—	—	19 (9)
FBP, FCL	100	25-21/32 (652)	9-5/32 (232)	9-5/16 (237)	—	—	19 (9)
F ①	225	25-21/32 (652)	9-5/32 (232)	9-5/16 (237)	—	—	19 (9)
J	250	37-17/32 (953)	11-7/8 (301)	10-7/32 (260)	—	—	37 (17)
K ②	400	41-11/16 (1059)	12-5/16 (313)	14-1/16 (357)	—	—	58 (26)

- ① Maximum wire size: 4/0.
- ② Maximum wire size: 500 kcmil.

Table 8-93. NEMA 3R Rainproof (See Figure 8-16)

Frame	Maximum Amperes	Dimensions in Inches (mm)					Approximate Weight in Lbs. (kg)
		A	B	C	D	E	
G, F ③	100	19-29/32 (506)	9-5/32 (232)	9-5/16 (237)	18-17/32 (471)	1-45/64 (43) ④	16 (7)
Earth Leakage	100	19-29/32 (506)	9-5/32 (232)	9-5/16 (237)	18-17/32 (471)	1-45/64 (43)	19 (9)
FBP, FCL	100	25-21/32 (652)	9-5/32 (232)	9-5/16 (237)	24-9/32 (617)	1-45/64 (43)	19 (9)
F ⑤	225	25-21/32 (652)	9-5/32 (232)	9-5/16 (237)	24-9/32 (617)	1-45/64 (43)	19 (9)
J	250	37-1/2 (953)	11-7/8 (301)	10-7/32 (260)	35-49/64 (909)	1-15/16 (49)	37 (17)
K ⑥	400	41-11/16 (1059)	12-5/16 (313)	14-1/16 (357)	39-15/16 (1014)	1-31/32 (50)	58 (26)
L	600	48-5/16 (1227)	15-9/16 (395)	15-1/2 (394)	46-9/16 (1183)	1-59/64 (49)	84 (38)
M, N	1200	63-19/32 (1615)	22-5/8 (575)	17-5/8 (448)	61-27/32 (1571)	1-31/32 (50)	175 (80)

- ③ RFDN100 Series "B" released 9/15/01.
- ④ Single centered mounting hole provided on RFDN100, Series "B."
- ⑤ Maximum wire size: 4/0.
- ⑥ Maximum wire size: 500 kcmil.

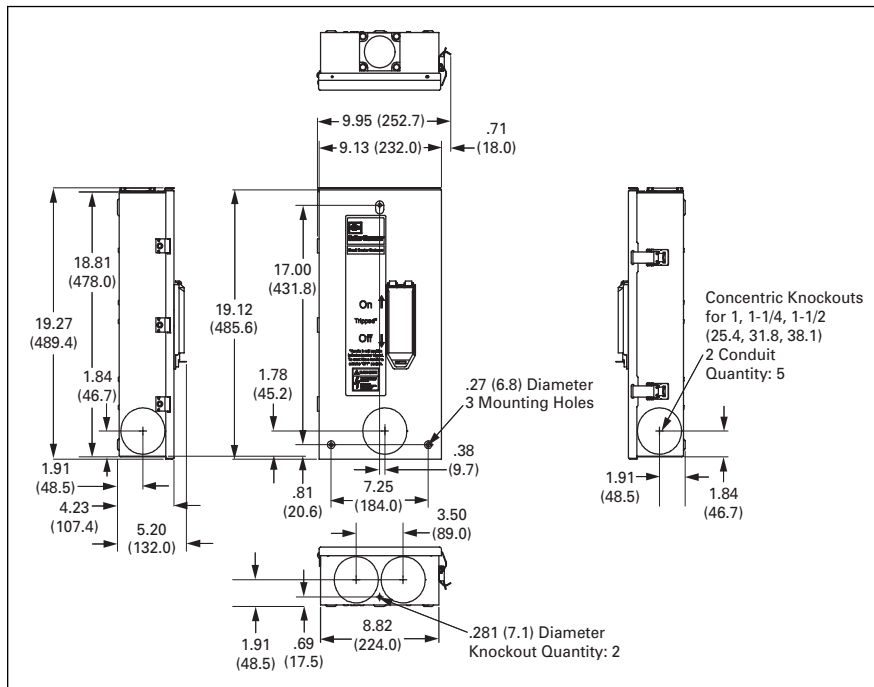


Figure 8-14. NEMA 3R Rainproof RFDN100 Series "B"

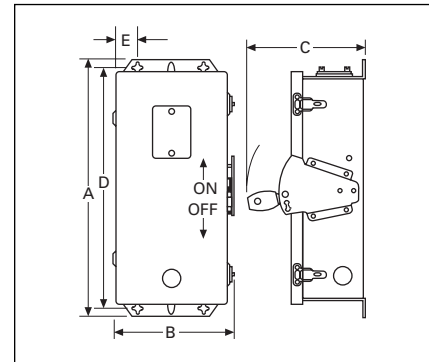


Figure 8-15. NEMA 12, 12K Dustproof

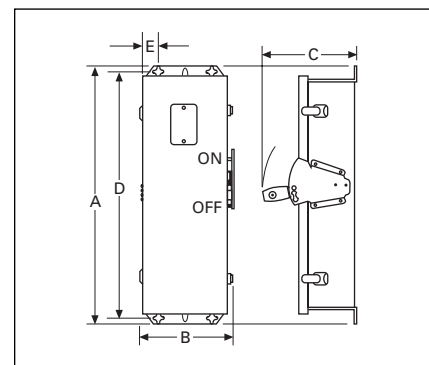


Figure 8-16. NEMA 3R Rainproof

NEMA 4/4X, 5, 7/9

Note: Not to be used for construction purposes unless approved.

Table 8-94. NEMA 4/4X, 5 Stainless Steel

Frame	Maximum Amperes	Dimensions in Inches (mm)					Approximate Weight in Lbs. (kg)
		A	B	C	D	E	
G, F	100	19-29/32 (506)	8-27/32 (225)	9-5/16 (237)	18-17/32 (471)	1-45/64 (43)	16 (7)
Earth Leakage	100	19-29/32 (506)	8-27/32 (225)	9-5/16 (237)	18-17/32 (471)	1-45/64 (43)	20 (9)
FBP, FCL	100	25-21/32 (652)	8-27/32 (225)	9-5/16 (237)	24-9/32 (617)	1-45/64 (43)	20 (9)
F ①	225	25-21/32 (652)	8-27/32 (225)	9-5/16 (237)	24-9/32 (617)	1-45/64 (43)	20 (9)
J	250	37-1/2 (953)	11-9/16 (294)	10-7/32 (260)	35-49/64 (909)	1-15/16 (49)	39 (18)
K ②	400	41-11/16 (1059)	11-3/4 (298)	14-1/16 (357)	39-15/16 (1014)	1-31/32 (50)	60 (27)
L	600	48-5/16 (1227)	14-29/32 (379)	15-1/2 (394)	46-9/16 (1183)	1-59/64 (49)	88 (40)
M, N	1200	63-19/32 (1615)	22 (559)	17-5/8 (448)	61-27/32 (1571)	1-31/32 (50)	185 (84)

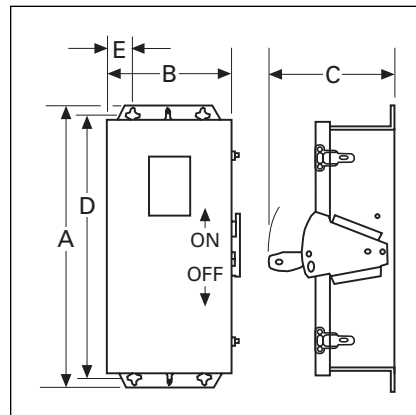


Figure 8-18. NEMA 4/4X, 5 Stainless Steel

① Maximum wire size: 4/0.
② Maximum wire size: 500 kcmil.

Table 8-95. NEMA 7/9 Cast Aluminum with Weather Resistant Seals — 15– 250 Amperes

Breaker Frame	Breaker Size Amperes	Number of Outlets	Dimensions in Inches (mm)										K ③ Dim	Standard Conduit Size ③	Approximate Weight in Lbs. (kg)
			Mounting ③			Inside ③			Outside ③						
			A	B	J	C	D	E	F	G	H				
F XFDN050B	15 – 50	4	5-1/2 (140)	13-1/8 (333)	14-1/8 (359)	6-1/8 (156)	10-3/4 (273)	5-1/4 (133)	10-5/8 (270)	15-1/4 (387)	8-7/8 (225)	2 (51)	1.5 (38)	38 (17)	
F ③ XFDN100B	60 – 100	4	6 (152)	18 (457)	19 (483)	6-1/2 (165)	16 (406)	5-1/2 (140)	11 (279)	20-1/2 (521)	9 (229)	2-5/16 (59)	2 (51)	57 (26)	
F ③ XFDN225B	125 – 225	4	10-1/4 (260)	22-5/8 (575)	—	11-3/8 (289)	20 (508)	6-3/8 (162)	16-3/8 (416)	25-1/8 (638)	9-5/8 (244)	3-1/2 (89)	2.5 (64)	104 (47)	
J XJDN225B	70 – 225	4	8-1/2 (216)	27-1/8 (689)	—	11-1/4 (286)	29-7/8 (759)	7-3/8 (187)	16 (406)	29-1/2 (749)	12-5/16 (313)	4 (102)	3 (76)	145 (66)	
J XJDN250B	250	4	9-1/2 (241)	27-1/4 (692)	—	11-1/4 (286)	29-7/8 (759)	8-1/16 (205)	16-3/8 (416)	35 (889)	12-3/8 (314)	4-3/16 (106)	4 (102)	170 (77)	

③ Maximum wire size: 4/0.

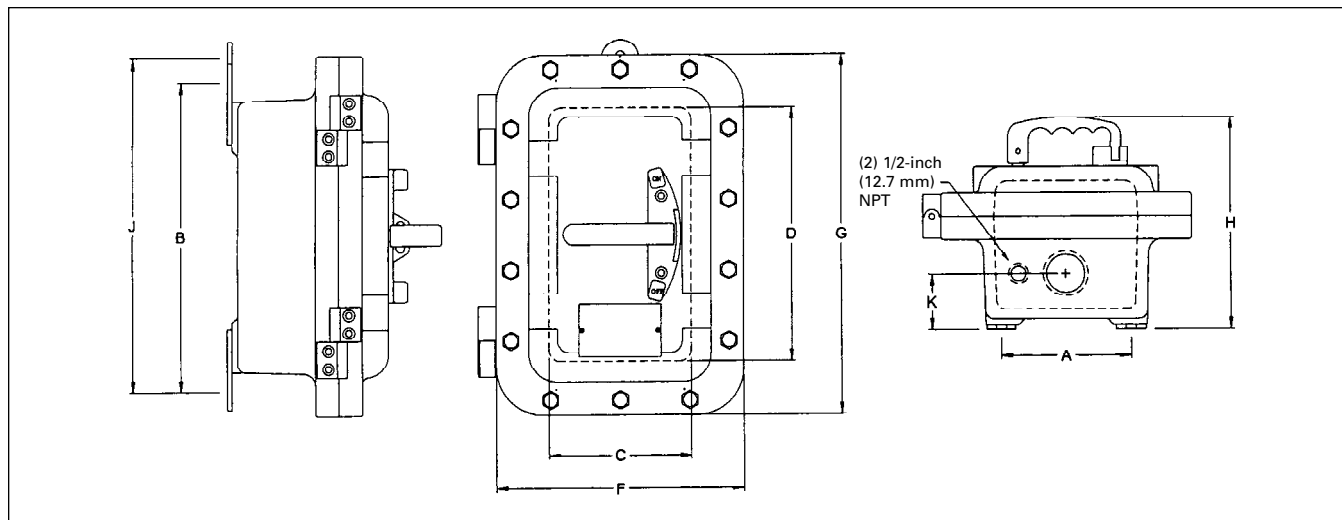


Figure 8-17. NEMA 7/9 Cast Aluminum with Weather Resistant Seals — Dual 3 and 4 Point Mounting Available as Standard on F Frame 100A and Below

Table 8-96. NEMA 7/9 Cast Aluminum with Weather Resistant Seals — 400 – 1200 Amperes

Breaker Frame	Breaker Size Amperes	Dimensions in Inches (mm)												Weight Lbs. (kg)
		Overall Enclosure				Enclosure Mounting			Conduit		Hinged Cover	Standard Conduit		
		A	B	C	D	E	F	G	H	I	J	Size	Location	
K ① XKDN400B	400	35 (889)	16-3/8 (416)	12-5/8 (321)	7-1/8 (181)	9-1/2 (241)	27-1/4 (692)	1/2 (13)	3 (76)	4-3/16 (106)	5-1/2 (140)	4 (102)	1, 3 & 6, 8	170 (77)
L XLDN600B	600	37-7/8 (962)	23-7/8 (606)	14-1/4 (362)	8-1/4 (210)	16 (406)	45-3/8 (1153)	1/2 (13)	4 (102)	5 (127)	6 (152)	4 (102)	1, 3 & 6, 8	419 (190)
M XKCN800B	800	47-7/8 (1216)	13-5/8 (346)	12-13/16 (325)	6-13/16 (173)	16-1/8 (410)	40-3/4 (1035)	1/2 (13)	4 (102)	4 (102)	6 (152)	4 (102)	1, 3 & 6, 8	228 (104)
N ②	1200	64 (1626)	26 (660)	21-3/8 (543)	14-3/8 (365)	27-9/16 (700)	38-5/8 (981)	1/2 (13)	6-1/2 (165)	4-3/8 (111)	7 (178)	4 (102)	1, 3 & 6, 8	567 (257)

① Maximum wire size: 500 kcmil.

② Power cables must enter and leave from opposite ends (through-feed).

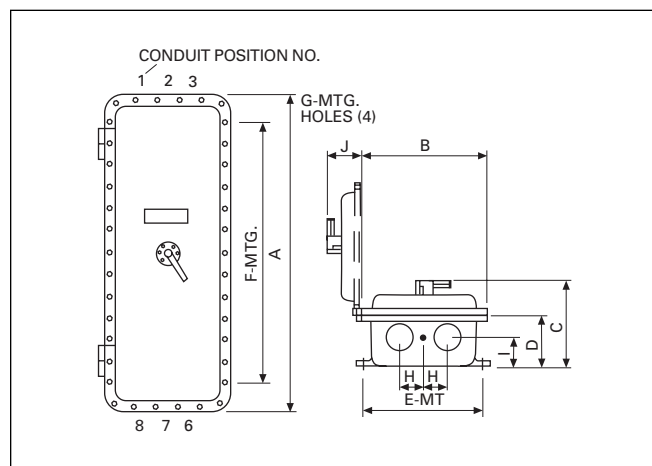


Figure 8-19. NEMA 7/9 Cast Aluminum with Weather Resistant Seals

Conduit Openings

Refer to outline dimensions for size and location of standard conduit openings. In addition, 1/2-inch (12.7 mm) openings are drilled and tapped for breather and drain. Unless ordered with breather and drain, these openings are plugged. Refer to Eaton's Cutler-Hammer for price of breather and drain.

Product Selection

1. Use the data on this page to determine type of enclosure required.
2. Use the data on **Page 8-57** to determine circuit breaker required.
3. Base pricing for the assembled unit can be determined from the tables on **Pages 8-58 and 8-59**.
4. Additional options can be priced from **Pages 8-50 and 8-51** added to the base price.
5. **Pages 8-53 through 8-56** include rough-in dimensional information.

Table 8-97. Industrial Circuit Breaker Selection

Circuit Breaker Type	Continuous Ampere Rating at 40°C	No. of Poles	Volts		Type of Trip ①	Federal Spec. W-C-375b	UL Listed Interrupting Rating rms Symmetrical Amperes									
			AC	DC			AC Ratings Volts						DC ②			
							120	120/240	240	277	480	600	125	250	125/250	
G-Frame																
GHC	15 – 100	1	120	125	N.I.T.U.	12c, 13a	65,000	—	—	—	—	—	—	14,000	—	—
GHC	15 – 100	2, 3	240	125/250		13b	—	—	65,000	—	—	—	—	—	—	14,000
GHC	15 – 100	1	277	125		12c, 13a	—	—	—	14,000	—	—	—	14,000	—	—
GHC	15 – 100	2, 3	277/480	215/250		13b	—	—	—	14,000	14,000	—	—	—	—	14,000
GD	15 – 100	3	480	250	N.I.T.U.	13b	—	—	65,000	—	22,000	—	—	—	10,000	—
F-Frame																
ED	100 – 225	2, 3	240	125	N.I.T.U.	12b	—	—	65,000	—	—	—	—	10,000	—	—
EDH	100 – 225	2, 3	240	125		14b	—	—	100,000	—	—	—	—	10,000	—	—
EDC	100 – 225	2, 3	240	125		1	—	—	200,000	—	—	—	—	10,000	—	—
EHD	15 – 100	1	277	125	N.I.T.U.	13a	—	—	—	14,000	—	—	—	10,000	—	—
EHD	15 – 100	2, 3	480	250		13b	—	—	18,000	—	14,000	—	—	—	10,000	—
FDB	15 – 150	2, 3	600	250	N.I.T.U.	18a	—	—	18,000	—	14,000	14,000	—	10,000	—	—
FDB	15 – 150	4	600	250		③	—	—	18,000	—	14,000	14,000	—	10,000	—	—
FD	15 – 225	1	277	125	N.I.T.U.	13a	—	—	—	25,000	—	—	—	10,000	—	—
FD	15 – 225	2, 3	600	250		22a	—	—	65,000	—	25,000	18,000	—	10,000	—	—
FD	15 – 225	4	600	250		③	—	—	65,000	—	25,000	18,000	—	10,000	—	—
HFD	15 – 225	1	277	125	N.I.T.U.	13a	—	—	—	65,000	—	—	—	10,000	—	—
HFD	15 – 225	2, 3	600	250		22a	—	—	100,000	—	65,000	25,000	—	20,000	—	—
HFD	15 – 225	4	600	250		③	—	—	100,000	—	65,000	25,000	—	20,000	—	—
FDC	15 – 225 ④	2, 3	600	250	N.I.T.U.	24a	—	—	200,000	—	100,000	35,000	—	20,000	—	—
FDC	15 – 225	4	600	250		③	—	—	200,000	—	100,000	35,000	—	20,000	—	—
J-Frame																
JDB	70 – 250	2, 3	600	250	N.I.T.U.	22a	—	—	65,000	—	35,000	18,000	—	10,000	—	—
JD	70 – 250	2, 3, 4	600	250	I.T.U.	22a	—	—	65,000	—	35,000	18,000	—	10,000	—	—
HJD	70 – 250	2, 3, 4	600	250	I.T.U.	22a	—	—	100,000	—	65,000	25,000	—	22,000	—	—
JDC	70 – 250	2, 3, 4	600	250	I.T.U.	22a	—	—	200,000	—	100,000	35,000	—	22,000	—	—
K-Frame																
DK	250 – 400	2, 3	240	250	N.I.T.U.	14b	—	—	65,000	—	—	—	—	10,000	—	—
KDB	100 – 400	2, 3	600	250	N.I.T.U.	23a	—	—	65,000	—	35,000	25,000	—	10,000	—	—
KD	100 – 400	2, 3, 4	600	250	I.T.U.	23a	—	—	65,000	—	35,000	25,000	—	10,000	—	—
HKD	100 – 400	2, 3, 4	600	250	I.T.U.	23a	—	—	100,000	—	65,000	35,000	—	22,000	—	—
KDC	100 – 400	2, 3, 4	600	250	I.T.U.	23a	—	—	200,000	—	100,000	50,000	—	22,000	—	—
L-Frame																
LDB	300 – 600	2, 3	600	250	N.I.T.U.	23a	—	—	65,000	—	35,000	25,000	—	22,000	—	—
LD	300 – 600	2, 3, 4	600	250	I.T.U.	23a	—	—	65,000	—	35,000	25,000	—	22,000	—	—
HLD	300 – 600	2, 3, 4	600	250	I.T.U.	23a	—	—	100,000	—	65,000	35,000	—	25,000	—	—
M-Frame																
MDL	300 – 800	2, 3	600	250	I.T.U.	23a	—	—	65,000	—	50,000	25,000	—	22,000	—	—
HMDL	300 – 800	2, 3	600	250	I.T.U.	23a	—	—	100,000	—	65,000	35,000	—	25,000	—	—
N-Frame																
ND	600 – 1200	3, 4	600	—	N.I.T.U.	23a	—	—	65,000	—	50,000	25,000	—	—	—	—
HND	600 – 1200	3, 4	600	—	N.I.T.U.	23a	—	—	100,000	—	65,000	35,000	—	—	—	—
R-Frame																
RD	800 – 2500	3, 4	600	—	N.I.T.U.	24a	—	—	125,000	—	65,000	35,000	—	—	—	—

① N.I.T.U. is non-interchangeable trip unit and I.T.U. is interchangeable trip unit.
 ② Two-pole circuit breaker, or two poles of three-pole circuit breaker at 250V DC.
 ③ Not defined in W-C-375b.
 ④ Not suitable for use with 100A enclosures.

Product Selection

Table 8-98. Prices for Enclosed Circuit Breaker Assemblies

Circuit Breaker			Enclosure Type — Price U.S. \$ ①						
Frame Type	Number of Poles	Ampere Rating	NEMA 1 Surface	NEMA 1 Flush	NEMA 3R	NEMA 12	NEMA 12K	NEMA 4/4X	NEMA 7/9 ②
GHC	1	15 – 60	263.	—	—	—	—	—	—
	1	70 – 100	362.	—	—	—	—	—	—
GHCGFEP	1	15 – 60	664.	—	839.	703.	713.	1412.	—
GHC	2	15 – 60	391.	—	567.	431.	440.	1139.	—
	2	70 – 100	622.	—	797.	661.	671.	1,370.	—
	3	15 – 60	567.	—	742.	606.	615.	1,314.	—
	3	70 – 100	717.	—	892.	756.	765.	1,465.	—
EHD	2	15 – 60	558.	558.	742.	599.	610.	1,345.	2,593.
	2	70 – 100	673.	673.	856.	714.	724.	1,460.	3,211.
	3	15 – 60	673.	673.	856.	714.	724.	1,460.	2,707.
	3	70 – 100	770.	770.	954.	812.	822.	1,557.	3,308.
ED	2	100 – 225	545.	545.	843.	613.	613.	1,619.	3,067.
	3	100 – 225	1,070.	1,070.	1,368.	1,138.	1,138.	2,144.	3,593.
EDH	2	100 – 225	1,038.	1,038.	1,336.	1,106.	1,106.	2,113.	3,561.
	3	100 – 225	1,468.	1,468.	1,765.	1,536.	1,536.	2,542.	3,990.
EDC	2	100 – 225	1,388.	1,388.	1,686.	1,456.	1,456.	2,463.	3,911.
	3	100 – 225	1,839.	1,839.	2,136.	1,907.	1,907.	2,913.	4,361.
FDB	2	15 – 60	607.	607.	790.	648.	658.	1,394.	2,641.
	2	70 – 100	736.	736.	920.	778.	788.	1,523.	3,274.
	2	125 – 150	1,446.	1,446.	1,744.	1,514.	1,514.	2,520.	3,969.
	3	15 – 60	747.	747.	930.	788.	798.	1,534.	2,781.
	3	70 – 100	868.	868.	1,052.	909.	919.	1,655.	3,406.
	3	125 – 150	1,754.	1,754.	2,052.	1,822.	1,822.	2,828.	4,277.
FD	2	15 – 60	904.	904.	1,088.	946.	956.	1,691.	2,939.
	2	70 – 100	1,028.	1,028.	1,211.	1,069.	1,079.	1,815.	3,566.
	2	125 – 225	2,109.	2,109.	2,407.	2,177.	2,177.	3,184.	4,632.
	3	15 – 60	1,033.	1,033.	1,216.	1,074.	1,084.	1,820.	3,067.
	3	70 – 100	1,144.	1,144.	1,328.	1,186.	1,196.	1,931.	3,682.
	3	125 – 225	2,392.	2,392.	2,689.	2,460.	2,460.	3,466.	4,914.
HFD	2	15 – 60	1,049.	1,049.	1,232.	1,090.	1,100.	1,835.	3,083.
	2	70 – 100	1,304.	1,304.	1,487.	1,345.	1,355.	2,091.	3,842.
	2	125 – 225	2,905.	2,905.	3,202.	2,973.	2,973.	3,979.	5,427.
	3	15 – 60	1,314.	1,314.	1,498.	1,355.	1,365.	2,101.	3,349.
	3	70 – 100	1,569.	1,569.	1,752.	1,610.	1,620.	2,356.	4,107.
	3	125 – 225	2,392.	2,392.	3,611.	3,381.	3,381.	4,388.	5,836.
JDB	2	70 – 225	2,348.	2,348.	2,650.	2,496.	2,496.	4,110.	7,384.
	2	250	2,511.	2,511.	2,828.	2,658.	2,658.	4,271.	8,371.
	3	70 – 225	2,793.	2,793.	3,095.	2,940.	2,940.	4,510.	7,729.
	3	250	2,989.	2,989.	3,306.	3,136.	3,136.	4,749.	8,849.
HJD	2	70 – 225	3,387.	3,387.	3,704.	3,534.	3,534.	5,147.	9,246.
	2	250	4,643.	4,643.	4,960.	4,791.	4,791.	6,404.	10,503.
	3	70 – 225	3,954.	3,954.	4,271.	4,101.	4,101.	5,714.	9,814.
	3	250	5,100.	5,100.	5,417.	5,247.	5,247.	6,860.	10,959.
DK	2	250 – 400	2,280.	2,280.	3,125.	2,605.	2,605.	5,713.	11,925.
	3	250 – 400	2,694.	2,694.	3,539.	3,019.	3,019.	6,127.	12,339.
KDB	2	100 – 400	2,711.	2,711.	3,556.	3,035.	3,035.	6,144.	12,356.
	3	100 – 400	3,245.	3,245.	4,057.	3,570.	3,570.	6,680.	12,890.
HKD	2	100 – 400	4,806.	4,806.	5,650.	5,130.	5,130.	8,239.	14,451.
	3	100 – 400	5,325.	5,325.	6,137.	5,650.	5,650.	8,760.	14,970.
LDB	2	300 – 600	4,342.	—	5,385.	4,918.	—	10,005.	17,278.
	3	300 – 600	5,396.	—	6,440.	5,975.	—	11,060.	18,340.
HLD	2	300 – 600	6,294.	—	7,337.	6,870.	—	11,957.	19,230.
	3	300 – 600	7,696.	—	8,740.	8,275.	—	13,360.	20,640.
MDL	2	300 – 800	6,098.	—	7,078.	6,670.	—	14,176.	18,690.
	3	300 – 800	7,395.	—	8,375.	7,970.	—	15,475.	19,995.
HMDL	2	300 – 800	8,420.	—	9,400.	8,993.	—	16,499.	21,013.
	3	300 – 800	9,320.	—	10,300.	9,895.	—	17,400.	21,920.

① Price U.S. \$ includes enclosure; breaker frame and trip unit or rating plug; standard line and load terminals; assembling and packaging in single shipping carton.

② Discount Symbol **22-CD**.

Note: For all other combination assembled enclosed circuit breakers refer to Eaton's Cutler-Hammer Customer Support Center.

Discount Symbol **CB-2**

Table 8-98. Prices for Enclosed Circuit Breakers (Continued)

Circuit Breaker			Enclosure Type — Price U.S. \$ ^①						
Frame Type	Number of Poles	Ampere Rating	NEMA 1 Surface	NEMA 1 Flush	NEMA 3R	NEMA 12	NEMA 12K	NEMA 4/4X	NEMA 7/9 ^②
ND	2	600 – 1200	10,701.	—	11,681.	11,273.	—	18,779.	34,730.
	3	600 – 1200	11,932.	—	12,912.	12,507.	—	20,012.	35,962.
HND	2	600 – 1200	11,836.	—	12,816.	12,407.	—	19,914.	35,865.
	3	600 – 1200	13,192.	—	14,172.	13,767.	—	21,272.	37,222.
ELFD Earth Leakage	3	15 – 100	1,929.	1,929.	2,227.	1,939.	1,997.	3,003.	—
	3	110 – 150	②	②	②	②	②	②	—
	4	15 – 100	②	②	②	②	②	②	—
	4	110 – 150	②	②	②	②	②	②	—
ELHFD Earth Leakage	3	15 – 100	2,354.	2,354.	2,651.	2,422.	2,422.	3,428.	—
	3	110 – 150	②	②	②	②	②	②	—
	4	15 – 100	②	②	②	②	②	②	—
	4	110 – 150	②	②	②	②	②	②	—
ELJD Earth Leakage	3	100 – 225	—	—	②	②	②	②	—
	3	250	—	—	②	②	②	②	—
	4	100 – 225	—	—	②	②	②	②	—
	4	250	—	—	②	②	②	②	—
ELHJD Earth Leakage	3	100 – 225	—	—	②	②	②	②	—
	3	250	—	—	②	②	②	②	—
	4	100 – 225	—	—	②	②	②	②	—
	4	250	—	—	②	②	②	②	—
ELKD Earth Leakage	3	200 – 400	—	—	②	②	②	②	—
	4	200 – 400	—	—	②	②	②	②	—
ELHKD Earth Leakage	3	200 – 400	—	—	②	②	②	②	—
	4	200 – 400	—	—	②	②	②	②	—
FCL	3	15 – 100	—	—	3,065.	2,836.	2,836.	3,842.	—
FBP	3	15 – 100	—	—	3,065.	2,836.	2,836.	3,842.	—
RD ^⑥	3	1600 ^③	19,780.	—	⑦	—	—	—	—
	3	2000 ^④	21,990.	—	⑦	—	—	—	—
	3	2500 ^⑤	26,130.	—	⑦	—	—	—	—

① Price U.S. \$ includes enclosure; breaker frame and trip unit or rating plug; standard line and load terminals; assembling and packaging in single shipping carton.

② Consult Eaton's Cutler-Hammer Customer Support Center for price and availability.

③ (4) 500 – 1000 kcmil per phase, line and load.

④ (6) #2 – 600 kcmil per phase, line and load.

⑤ (9) #4 – 500 kcmil per phase, line and load.

⑥ Enclosure is Pow-R-Line C Switchboard assembly.

⑦ See RD Accessories and Modifications table.

⑧ Discount Symbol 22-CD.

Note: For all other combination assembled enclosed circuit breakers refer to Eaton's Cutler-Hammer Customer Support Center.

Table 8-99. Special RD Modifications and Accessories

Description	Price U.S. \$ Adder
1600A Neutral Assembly (Aluminum)	410.
2000A Neutral Assembly (Aluminum)	410.
2500A Neutral Assembly (Aluminum)	540.
1600A Neutral Assembly (Copper)	1,860.
2000A Neutral Assembly (Copper)	2,050.
2500A Neutral Assembly (Copper)	2,460.
Adjustable Rating Plug	50.
Lockoff, Padlockable	85.
Key Interlock	960.
Phase Failure Protection (Includes Shunt Trip)	3,730.
Zero Sequence GFP (Including Shunt Trip and Test Panel)	7,610.
NEMA 3R Flat Roof	1,680.
Heater Package (Includes CPT, Heater, Thermostat and Disconnect)	625.
Special Sized Enclosures	⑨
Standard is 90-inch H x 30-inch W x 30-inch D (2286 x 762 x 762 mm)	⑨
IQ Metering	⑨
Non-Standard Terminations	⑨

⑨ Consult Eaton's Cutler-Hammer Customer Support Center.

Cross-Reference

Table 8-100. Enclosed Circuit Breaker Competitive Catalog Numbers

NEMA Rating	Catalog Number							
	Cutler-Hammer Business		Square D		Siemens		General Electric	
	Enclosure	Breaker	Enclosure	Breaker	Enclosure	Breaker	Enclosure	Breaker
1 Surface 1 Flush 3R	SGDN100	GHC3100	EHB125NS	EHB34100	—	—	—	—
	— RGDN100	— GHC3100	EHB125NF EHB125NRB	EHB34100 EHB34100	— —	— —	— —	— —
12 12K 4/4X	JGDN100	GHC3100	—	—	—	—	—	—
	DGDN100	GHC3100	—	—	—	—	—	—
	WGDN100	GHC3100	—	—	—	—	—	—
1 Surface 1 Flush 3R	SFDN100	EHD3100L	FA100S	FAL34100	E2N1S	ED43B100	TE100S	TED134100WL
	FFDN100	EHD3100L	FA100F	FAL34100	E2N1F	ED43B100	TE100F	TED134100WL
12/3R 12 12K	—	—	FA100AWK	FAL34100	—	—	—	—
	JFDN100	EHD3100L	FA100A	FAL34100	E2N12	ED43B100	TE100J/SE100J	TED134100WL
4/4X 7/9 9	WFDN100	EHD3100L	FA100DS	FAL34100	ED6SS4	ED43B100	TE100CS/SE100CS	TED134100WL
	XFDN050	EHD3050L	FA060X FA060Y	FAL34060 FAL34060	EA	ED43B100	—	—
7/9 9	XFDN225B ①	FD3225L	FA100X FA100Y	FAL34100 FAL34100	EB	ED43B100	—	—
	—	—	—	—	—	—	—	—
1 Surface 1 Flush 3R	SFDN225 ①	FDB3150L	—	—	E2N1S	ED43B125	TE150S	TED134150WL
	FFDN225 ①	FDB3150L	—	—	E2N1F	ED43B125	TE150F	TED134150WL
12 12K 4/4X	JFDN225 ①	FDB3150L	—	—	E2N12	ED43B125	—	—
	DFDN225 ①	FDB3150L	—	—	E2N12	ED43B125	—	—
7/9	WFDN225 ①	FDB3150L	—	—	ED6SS4	ED43B125	—	—
	XFDN225B ①	FDB3150L	—	—	—	—	—	—
1 Surface 1 Flush 3R	SFDN225 ①	FD3225L	—	—	—	—	—	—
	FFDN225 ①	FD3225L	—	—	—	—	—	—
12 12K 4/4X	JFDN225 ①	FD3225L	—	—	—	—	—	—
	DFDN225 ①	FD3225L	—	—	—	—	—	—
7/9	WFDN225 ①	FD3225L	—	—	—	—	—	—
1 Surface 1 Flush 3R	SJDN250	JDB3250	KA225S	KAL36250	F6N1S	FXD63B250	TF225S	TFJ236225WL
	FJDN250	JDB3250	KA225F	KAL36250	F6N1F	FXD63B250	TF225F	TFJ236225WL
12/3R 12 12K	—	—	KA225RB	KAL36250	F6N3R	FXD63B250	TF225R	TFJ236225WL
	JJDN250	JDB3250	—	—	—	—	—	—
4/4X 7/9 9	DJDN250	JDB3250	KA225A	KAL36250	F6N12	FXD63B250	TF225J/SF250J	TFJ236225WL
	—	—	—	—	—	—	—	—
1 Surface 1 Flush 3R	SKDN400 ②	KDB3400	LA400S	LAL36400	J6N1	JXD63B400	TJ400S/SG400S	TJK436400WL
	FKDN400 ②	KDB3400	LA400F	LAL36400	—	—	TJ400F/SG400F	TJK436400WL
12/3R 12 12K	—	—	LA400R	LAL36400	J6N3R	JXD63B400	TJ400R/SG400R	TJK436400WL
	JKDN400 ②	KDB3400	—	—	—	—	—	—
4/4X 7/9	DKDN400 ②	KDB3400	—	—	J6N12	JXD63B400	TJ400J/SG400J	TJK436400WL
	—	—	—	—	J6N12	JXD63B400	—/SG400D	TJK436400WL
7/9	WKDN400 ②	KDB3400	LA400DS	LAL36400	—	—	TJ400CS/SG400CS	TJK436400WL
	XKDN400B ②	KDB3400	—	—	EE	JXD63B400	—	—

① Maximum wire size 4/0.

② Maximum wire size 500 kcmil.

Table 8-100. Enclosed Circuit Breaker Competitive Catalog Numbers (Continued)

NEMA Rating	Catalog Number							
	Cutler-Hammer Business		Square D		Siemens		General Electric	
	Enclosure	Breaker	Enclosure	Breaker	Enclosure	Breaker	Enclosure	Breaker
1 Surface 1 Flush 3R	SLDN600 — RLDN600	LDB3600 — LDB3600	MA1000S MA1000F —	MAL36600 MAL36600 —	LD6N1 — LD6N3R	LXD63B600 — LXD63B600	TJ600S/SG600S TJ600F/SG600F TJ600R/SG600R	TJK636600WL TJK636600WL TJK636600WL
12/3R 12 4/4X	— JLDN600 WLDN600	— LDB3600 LDB3600	MA1000AWK — MA1000DS	MAL36600 — MAL36600	— LD6N12 LD6SS4	— LXD63B600 LXD63B600	— TJ600J/SG600J TJ600CS	— TJK636600WL TJK636600WL
7/9	XMCN800B	LDB3600	—	—	ED6	LXD63B600	—	—
1 Surface 1 Flush 3R	SNDN1200 — RNDN1200	MDL3800 — MDL3800	MA1000S MA1000F —	MAL36800 MAL36800 —	LMD1 — LMD3R	MXD63B800 — MXD63B800	TK4V1200S TK4V1200F TKV41200R	TKMA836800WL TKMA836800WL TKMA836800WL
12/3R 12 4/4X	— JNDN1200 WNDN1200	— MDL3800 MDL3800	MA1000AWK — MA1000DS	MAL36800 — MAL36800	— LMD12 —	— MXD63B800 —	— TK4V1200J/SK1200 —	— TKMA836800WL —
7/9	XMCN800B	MDL3800	—	—	—	—	—	—
1 Surface 1 Flush 3R	SNDN1200 — RNDN1200	ND312T33W — ND312T33W	MA1000S MA1000F —	MAL361000 MAL361000 —	— — —	— — —	— — —	— — —
12/3R 12 4/4X	— JNDN1200 WNDN1200	— ND312T33W ND312T33W	MA1000AWK — MA1000DS	MAL361000 — MAL361000	— — —	— — —	— — —	— — —
1 Surface 12 3R	SNDN1200 — RNDN1200	ND312T33W — ND312T33W	— — —	— — —	MND61 — MND63	NXD63B120 — NXD63B120	TK4V1200S TK4V1200F TKV41200R	TKMA31200WL TKMA31200WL TKMA31200WL
1 Surface 12 4/4X	— JNDN1200 WNDN1200	— ND312T33W ND312T33W	NA1200AWK — —	NAL361200 — —	— — MND612	— — NXD63B120	— — TK4V1200J/SK1200	— — TKMA31200WL
7/9	XNDN1200B ①	ND312T33W	—	—	—	—	—	—

① Through feed only.

The National Electrical Code and NEC are registered trademarks of the National Fire Protection Association, Quincy, Mass.

UL is a registered trademark of the Underwriters Laboratories Inc.

